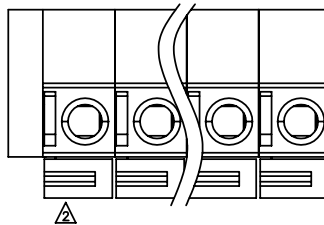


SIGN	DATE	DESCRIPTION	APPROVER
△	01/20'07	The Soldering temperature from 245° to 250°	Aaron
△	2010.08.12	The design is changed	Chen Bo
△	2012.07.18	The tolerance are added	Runner




THIS IS CAD DRAWING, DO NOT REVISE MANUALLY!!!




Material

- Terminal lever: Thermoplastic (UL94 V-0) Orange RAL2011/P
- Terminal housing: Thermoplastic (UL94 V-0)
- Terminal cover: Thermoplastic (UL94V-0)
- Solder Pin : Brass Tin plated
- Wire guard: Stainless steel

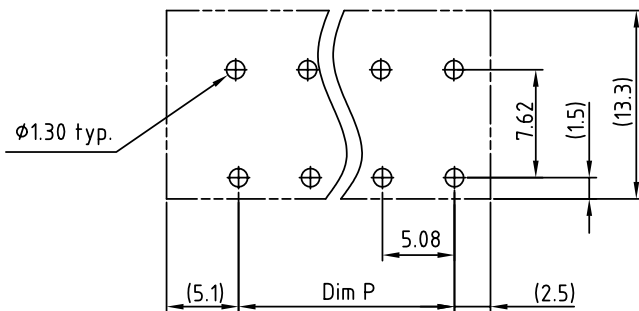
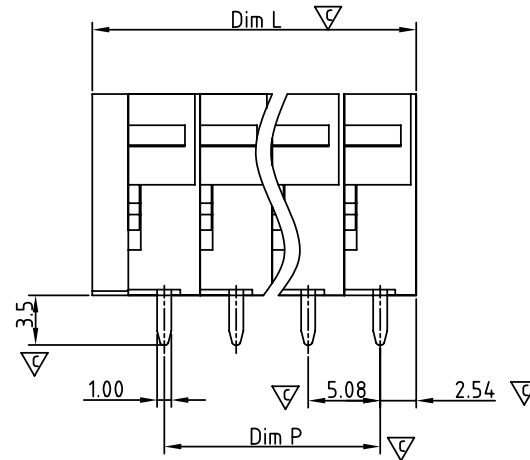
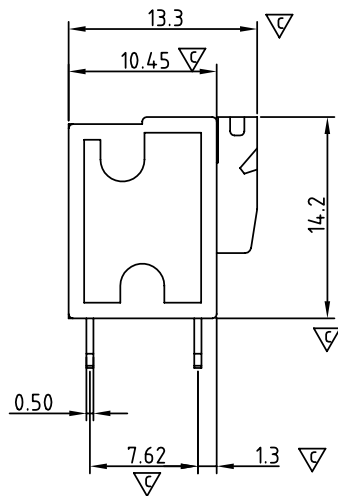
Electrical cULus/VDE

- Voltage rating: 300VAC/250VAC
- Current rating: 10A/10A
- Wire range: 0.75-1.5mm²
- Solid wire(AWG): 14-24
- Stranded wire(AWG): 14-24
- Wire strip length: 9-10mm
- Withstanding Voltage: 1.6KV/2KV
- Operating temperature: -40°C to +115°C
- Soldering temperature: 250°C±10°C/5 Sec
- Safety Approval:   

- Critical dimension: 

HA xx 00 x 0 xxxx G

02	2 Poles	Body color	RoHS compliant (lead<4%) In copper Alloy
03	3 Poles		
...	...		0000: "@" Logo (Standard)
24	24 Poles	2 Red	000A: "ANYTEK" Mark
		3 Orange	Any special item by customer request. please contact sales department.
		5 Green(RAL6018/T)	
		8 Grey(RAL7004/P)	



P.C.B. LAYOUT

△ N = Number of poles
 Dim L = (N x 5.08) + 2.54
 Dim P = (N - 1) x 5.08

Poles	Dim L	Dim P
2-6p	±0.20	
7-12p	±0.25	
13-24p	±0.40	

ANYTEK

CUSTOMER COPY

ALL RIGHTS RESERVED. REPRODUCTION OR ISSUE TO THIRD PARTIES IN ANY FORM WHATSOEVER IS NOT PERMITTED WITHOUT WRITTEN AUTHORITY FROM THE PROPRIETOR. PROPERTY OF ANYTEK TECHNOLOGY CO., LTD

TITLE		HA-5.08mm 90° series		
PART NO.	HAxx00x0xxxxG	DWG NO.	8HA0101	
APPROVED	CHECKED	DESIGNED	DRAWN	CUST NO.
		Runner 2012.07.18	Chen Bo 2010.08.12	
				Tolerance
				X. ±0.50
				X.X ±0.30
				X.XX ±0.10
				X° ±1°
SHEET: 01/01				UNIT: mm
				SCALE: NONE
				REV.: F