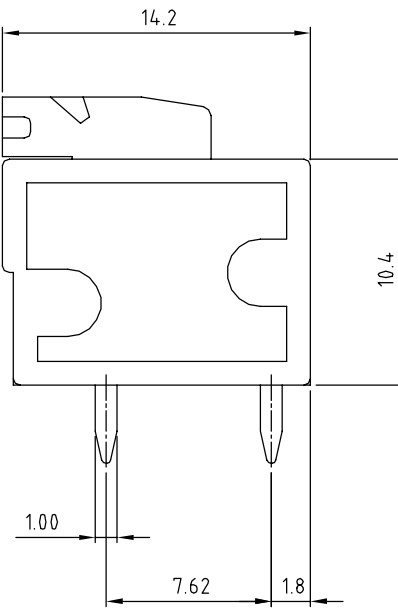
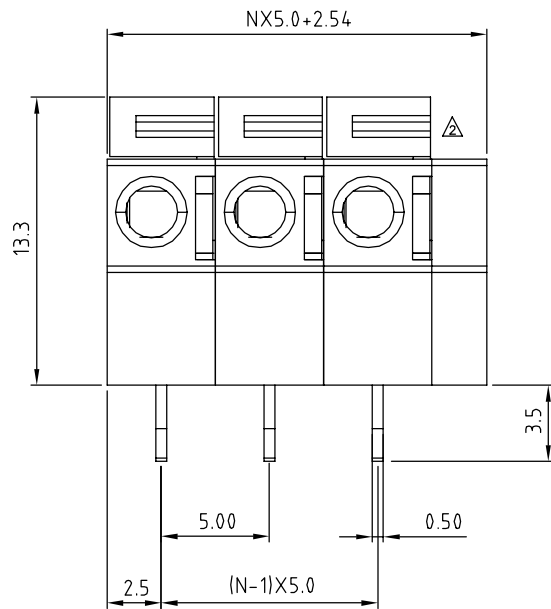


SIGN	DATE	DESCRIPTION	APPROVER
△	01/20'07	The Soldering temperature from 245° to 250°	Aaron
△	2010.08.12	The design is changed	Chen Bo

*THIS IS CAD DRAWING, DO NOT REVISE MANUALLY!!!*



**Material**

- Terminal body (Contact pin): Brass
- Wire guard: Stainless steel
- Surface of solder tail: Tin plated
- Insulator (housing): Thermoplastic (UL94V-0)

**Electrical cULus/VDE**

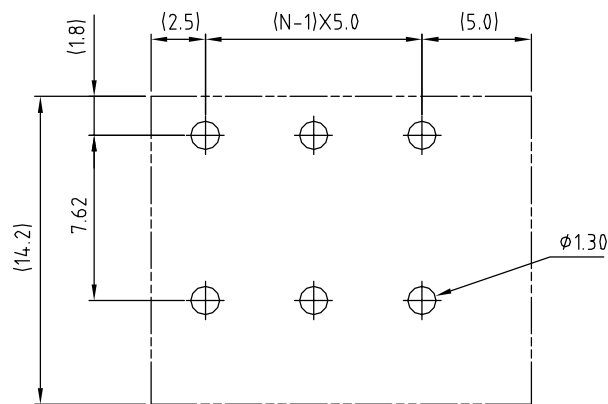
- Voltage rating: 300VAC/250VAC
- Current rating: 10A/10A
- Wire range: 0.75-1.5mm<sup>2</sup>
- Solid wire(AWG): 14-24
- Stranded wire(AWG): 14-24
- Pull force:
- Screw:
- Wire strip length: 9-10mm
- Withstanding Voltage: 1.6KV/2KV
- Operating temperature: -40°C to +115°C
- Soldering temperature: 250°C±10°C/5 Sec △
- Safety Approval:



N=Number of contacts

**HA xx 31 x 0 xxxx G**

- 02 2 CONTACTS    2 Red
  - 03 3 CONTACTS    3 Orange
  - ... ..    5 Green(RAL6018/T)
  - 24 24 CONTACTS    8 Grey(RAL7004/P)
- G: Pb<40,000ppm
- 0000: "@ " Logo (Standard)  
000A: "ANYTEK" Mark  
Any special item by customer request. please contact sales department.



P.C.B. LAYOUT

2-6p	±0.20	±0.20
6-12p	±0.25	±0.25
12-24p	±0.40	±0.40

<b>ANYTEK</b>				<b>CUSTOMER COPY</b>			
<small>ALL RIGHTS RESERVED. REPRODUCTION OR ISSUE TO THIRD PARTIES IN ANY FORM WHATSOEVER IS NOT PERMITTED WITHOUT WRITTEN AUTHORITY FROM THE PROPRIETOR. PROPERTY OF ANYTEK TECHNOLOGY CO., LTD</small>							
TITLE		HA-5.0mm 180°		DWG NO.		8HA0008	
PART NO.		HAxx31x0xxxxG		CUST NO.			
APPROVED		CHECKED	DESIGNED	DRAWN	Tolerance		
				Chen Bo 2010.08.12		UNIT: mm	X.    ±0.50
						SCALE: NONE	X.X   ±0.30
					SHEET: 01/01	REV.: F	X.XX ±0.10
							X°    ±1°