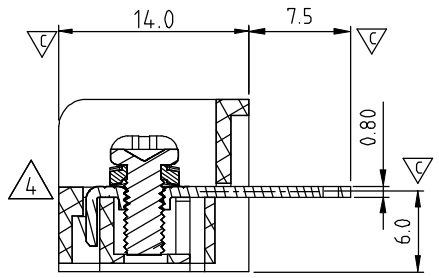
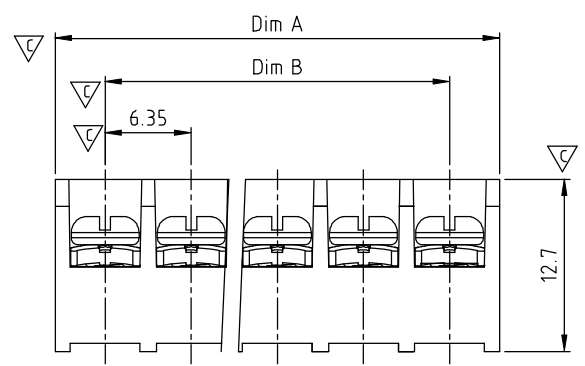
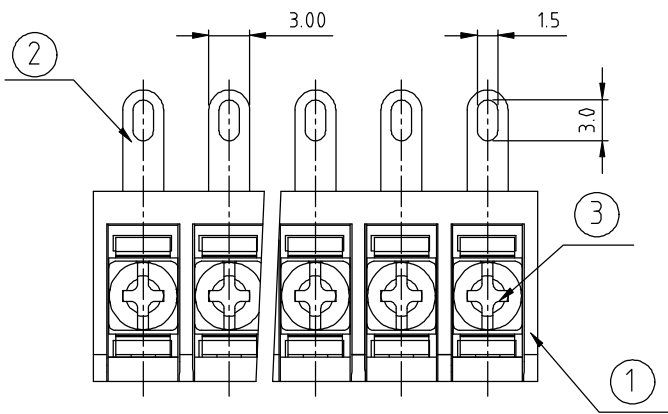


SIGN	DATE	DESCRIPTION	APPROVER
△	10/20'08	Add APPROVAL: : CQC	Kind
△	12/05'12	Change the screw plating specification	Jacky
△	12/05'12	Change the dimensional tolerance	Jacky
△	12/12'13	Add the view	Jacky
△	12/12'13	Change the withstand voltage and current	Jacky

THIS IS CAD DRAWING, DO NOT REVISE MANUALLY!!!



MATERIALS ELECTRICAL: cULus CQC
 RATED VOLTAGE & CURRENT: 250 V, 10 A / 250 V, 9A △5
 WITHSTAND VOLTAGE: AC 2000 V/Min
 INSULATION RESISTANCE: 1000 MΩ OR MORE AT DC 500 V
 OPERATING TEMPERATURE RANG: -40 °C ~ +115 °C
 SCREW TORQUE VALUE: 5.3 Lb-In.
 WIRE RANGE: 22 - 18 AWG
 1) MOLDED PARTS: Thermoplastic, UL 94 V-0 BLACK
 2) TERMINAL: BRASS, 0.8t, Tin PLATED
 △ 3) TERMINAL SCREWS: STEEL, M3

△ APPROVAL:
 PART NO.:
 Critical dimension: ∇

YK 223 xx 0 x x 00G

NO. OF POLES
 02: 2 POLES
 03: 3 POLES
 04: 4 POLES
 ...
 30: 30 POLES

G: RoHS compliant (lead<4%) In copper Alloy
 MARK
 0: "@ " MARK
 1: "ANY" MARK

TERMINAL & SCREW PLATED
 0: TERMINAL & SCREW: G/F
 △ 1: TERMINAL: G/F, SCREW: Zinc
 2: TERMINAL: Sn, SCREW: G/F
 △ 3: TERMINAL: Sn, SCREW: Zinc

N = Number of poles △
 Dim A = N x 6.35 + 1.0
 Dim B = (N - 1) x 6.35

Poles	Tol.	Dim A & B
2-5p		±0.20
6-10p		±0.25
11-16p		±0.35
17-24p		±0.40
25-30p		±0.50

ANYTEK				CUSTOMER COPY			
ALL RIGHTS RESERVED. REPRODUCTION OR ISSUE TO THIRD PARTIES IN ANY FORM WHATSOEVER IS NOT PERMITTED WITHOUT WRITTEN AUTHORITY FROM THE PROPRIETOR. PROPERTY OF ANYTEK TECHNOLOGY CO., LTD							
TITLE		YK-223 Series		DWG NO.		8YK0001-223	
PART NO.		YK223xx0xx00G		CUST NO.			
APPROVED	CHECKED	DESIGNED	DRAWN	Tolerance			
		Jacky	Jacky			UNIT: mm	
		2013.12.12	2013.12.12			SCALE: NONE	
SHEET: 01/01				REV.: F		X.X ±0.30	
						X.XX ±0.10	
						X° ±1°	