

N= Number of poles
Dimension Dim A. B .C

Dim A	$(N+2) \times 10.0 + 2.0$
Dim B	$(N+1) \times 10.0$
Dim C	$(N-1) \times 10.0$

Poles	Tolerance
2P-5P	± 0.20
6P-10P	± 0.25
11P-16P	± 0.35
17P-24P	± 0.40
25P-30P	± 0.50

SIGN	DATE	DESCRIPTION	APPROVER
△	4/10'03	Dimension changed from 10.2 to 12.0	DAWN
△	2/04'06	Part No. changed	Tony
△	08/05'10	The shape of digging hole is Changed	Aaron
△	11/20'12	Change the screw plating specification	Guoxue
△	11/20'12	Change the dimensional tolerance	Guoxue

THIS IS CAD DRAWING, DO NOT REVISE MANUALLY!!!

MATERIALS ELECTRICAL
 RATED VOLTAGE & CURRENT: 300 V, 25 A
 WITHSTAND VOLTAGE: AC 2000 V/Min
 INSULATION RESISTANCE: 1000 MΩ OR MORE AT DC 500 V
 OPERATING TEMPERATURE RANG: -40 °C ~ +115 °C
 SCREW TORQUE VALUE: 8.8 Lb-In.
 WIRE RANGE: 22 - 12 AWG
 1) MOLDED PARTS: THERMOPLASTIC, UL 94 V-0 BLACK
 2) TERMINAL: BRASS, 0.8t, Tin PLATED
 3) TERMINAL SCREWS: STEEL, M3.5

APPROVAL:
 Critical dimension:

△ PART NO.:

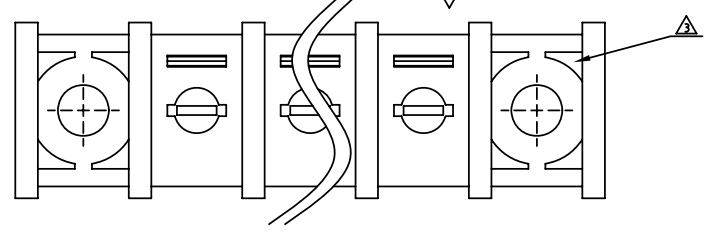
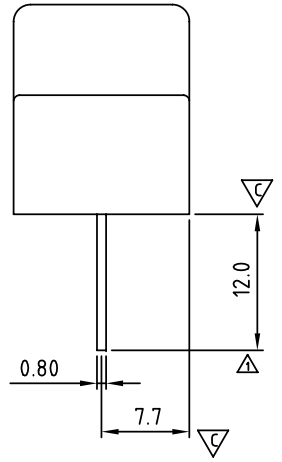
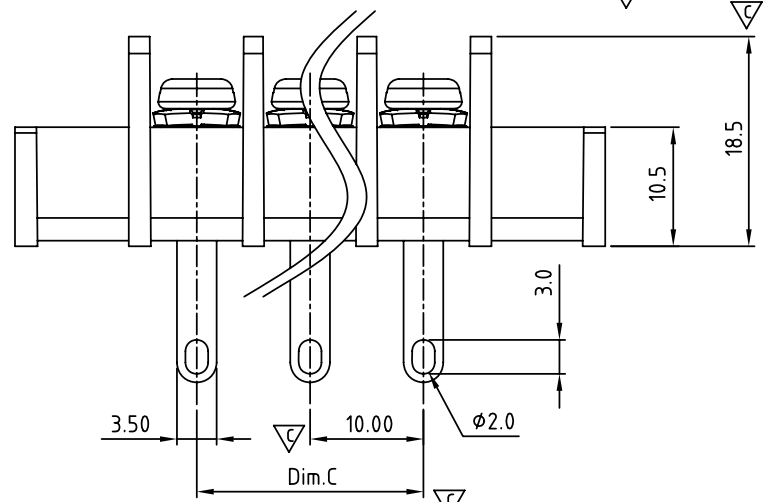
YK 613 xx 3 x x 00G

NO. OF POLES
 02: 2 POLES
 03: 3 POLES
 04: 4 POLES
 ...
 30: 30 POLES

RoHS compliant
 (lead<4%)
 In copper Alloy

MARK
 0: "@" MARK
 1: "ANY" MARK

TERMINAL & SCREW PLATED
 0: TERMINAL & SCREW: G/F
 △1: TERMINAL: G/F, SCREW: ZINC
 2: TERMINAL: Sn, SCREW: G/F
 △3: TERMINAL: Sn, SCREW: ZINC



ANYTEK

CUSTOMER COPY

ALL RIGHTS RESERVED. REPRODUCTION OR ISSUE TO THIRD PARTIES IN ANY FORM WHATSOEVER IS NOT PERMITTED WITHOUT WRITTEN AUTHORITY FROM THE PROPRIETOR. PROPERTY OF ANYTEK TECHNOLOGY CO., LTD

TITLE		YK-613 With Flange Series				
PART NO.		YK613xx3xx00G		DWG NO.	8YK0001-613	
APPROVED	CHECKED	DESIGNED	DRAWN	CUST NO.		Tolerance
		Guoxue 2012.12.01	Guoxue 2012.12.01			X. ±0.50
					UNIT: mm	X.X ±0.30
					SCALE: NONE	X.XX ±0.10
				SHEET: 01/01	REV.: E	X° ±1°