
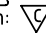


SIGN	DATE	DESCRIPTION	APPROVER
△	5/28'03	Dimension changed from 4.2 to 4.5	DAWN
△	2/04'06	Part No. changed	Tony
△	11/20'12	Change the screw plating specification	Guoxue
△	11/20'12	Change the dimensional tolerance	Guoxue

THIS IS CAD DRAWING, DO NOT REVISE MANUALLY!!!

MATERIALS ELECTRICAL  
 RATED VOLTAGE & CURRENT: 300 V, 25 A  
 WITHSTAND VOLTAGE: AC 2000 V/Min  
 INSULATION RESISTANCE: 1000 MΩ OR MORE AT DC 500 V  
 OPERATING TEMPERATURE RANG: -40 °C ~ +115 °C  
 SCREW TORQUE VALUE: 8.8 Lb-In.  
 WIRE RANGE: 22 - 12 AWG  
 1) MOLDED PARTS: THERMOPLASTIC, UL 94 V-0 BLACK  
 2) TERMINAL: BRASS, 0.8t, Tin PLATED  
 3) TERMINAL SCREWS: STEEL, M3.5

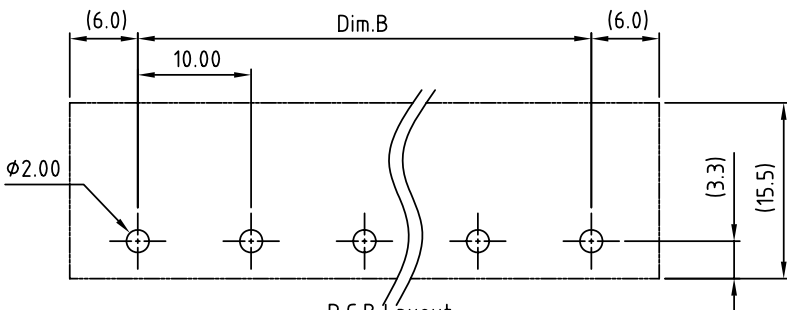
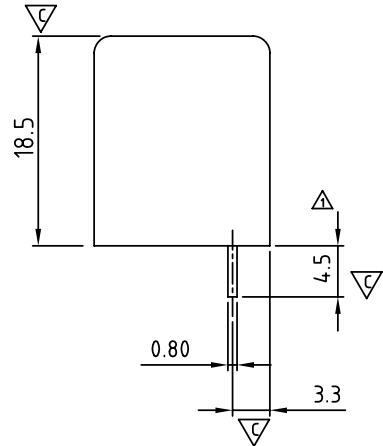
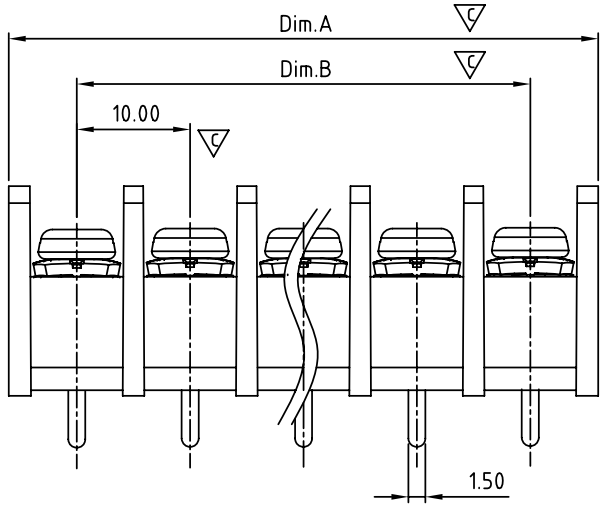
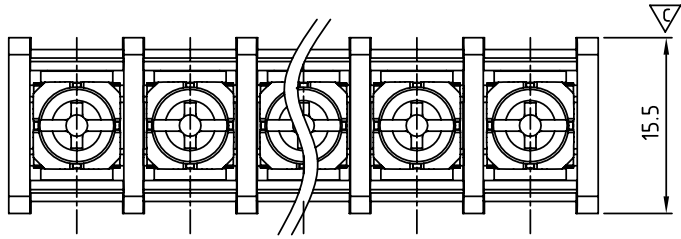
APPROVAL:   
 Critical dimension:   
 △ PART NO:

YK 612 xx 0 x x 00G

NO. OF POLES  
 02: 2 POLES  
 03: 3 POLES  
 04: 4 POLES  
 ...  
 30: 30 POLES

RoHS compliant  
 (lead<4%)  
 In copper Alloy  
 MARK  
 0: "@ " MARK  
 1: "ANY " MARK

TERMINAL & SCREW PLATED  
 0: TERMINAL & SCREW: G/F  
 △ 1: TERMINAL: G/F, SCREW: ZINC  
 2: TERMINAL: Sn, SCREW: G/F  
 △ 3: TERMINAL: Sn, SCREW: ZINC



P.C.B Layout  
 BOTTOM VIEW

N= Number of Poles  
 Dimension Dim A. B

Dim A	N×10.0+2.0
Dim B	(N-1)×10.0

Poles	Dim.A	Dim.B
2p-5p	±0.20	±0.20
6p-10p	±0.25	±0.25
11p-16p	±0.35	±0.35
17p-24p	±0.40	±0.40
25p-30p	±0.50	±0.50

<b>ANYTEK</b>				<b>CUSTOMER COPY</b>			
ALL RIGHTS RESERVED. REPRODUCTION OR ISSUE TO THIRD PARTIES IN ANY FORM WHATEVER IS NOT PERMITTED WITHOUT WRITTEN AUTHORITY FROM THE PROPRIETOR. PROPERTY OF ANYTEK TECHNOLOGY CO., LTD							
TITLE		YK-612 W/O Flange Series					
PART NO.		YK612xx0xx00G		DWG NO.		8YK0001-612	
APPROVED		CHECKED	DESIGNED	DRAWN	CUST NO.		Tolerance
			Guoxue 2012.12.01	Guoxue 2012.12.01			X. ±0.50
					UNIT: mm		X.X ±0.30
					SCALE: NONE		X.XX ±0.10
					SHEET: 01/01		X° ±1°
					REV.: D		