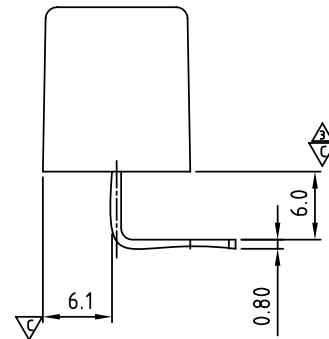


P.C.B LAYOUT



SIGN	DATE	DESCRIPTION	APPROVER
△	10/20'06	Demention changed from Ø1.60 to Ø1.70	kind
△	2/27'08	Demention changed from 7.0 to 4.0	kind
△	2/27'08	Demention changed from 3.0 to 6.0	kind
△	11/20'12	Change the screw plating specification	Jacky
△	11/20'12	Change the electrical specification	Jacky
△	11/20'12	Change the dimensional tolerance	Jacky

THIS IS CAD DRAWING, DO NOT REVISE MANUALLY!!!

MATERIALS ELECTRICAL

RATED VOLTAGE & CURRENT:	250 V, 15 A
WITHSTAND VOLTAGE:	AC 2000 V/Min
INSULATION RESISTANCE:	1000 MΩ OR MORE AT DC 500 V
△ OPERATING TEMPERATURE RANG:	-40 °C ~ +115 °C
SCREW TORQUE VALUE:	5.3 Lb-In.
WIRE RANGE:	22 - 16 AWG
1) MOLDED PARTS:	POLYIMIDE 66, UL 94 V-0 BLACK
2) TERMINAL:	BRASS, 0.8t, Tin PLATED
△ 3) TERMINAL SCREWS:	STEEL, M3

APPROVAL:
 Critical dimension:

YK 314 xx 0 x x 00G

NO. OF POLES	02: 2 POLES	G:RoHS compliant(lead<4%) in copper alloy
	03: 3 POLES	
	04: 4 POLES	MARK
	:	0: "@ " MARK
	30: 30 POLES	1: "ANY" MARK
		3: NO MARK
		TERMINAL & SCREW PLATED
		0: TERMINAL & SCREW: G/F
		△ 1: TERMINAL: G/F, SCREW: Zinc
		2: TERMINAL: Sn, SCREW: G/F
		△ 3: TERMINAL: Sn, SCREW: Zinc

DIM		TOL				
		2P-5P	6P-10P	11P-16P	17P-24P	25P-30P
Dim A	(N-1)×7.62+9.12	±0.20	±0.25	±0.35	±0.40	±0.50
Dim B	(N-1)×7.62	±0.20	±0.25	±0.35	±0.40	±0.50

ANYTEK

CUSTOMER COPY

ALL RIGHTS RESERVED. REPRODUCTION OR ISSUE TO THIRD PARTIES IN ANY FORM WHATSOEVER IS NOT PERMITTED WITHOUT WRITTEN AUTHORITY FROM THE PROPRIETOR. PROPERTY OF ANYTEK TECHNOLOGY CO., LTD

TITLE	YK-314 W/O Flange Series				
PART NO.	YK314-xx0xx00G	DWG NO.	8YK0001-314		
APPROVED	CHECKED	DESIGNED	DRAWN	CUST NO.	Tolerance
		Jacky 2012.11.20	Jacky 2012.11.20		X. ±0.50
				UNIT: mm	X.X ±0.30
				SCALE: NONE	X.XX ±0.10
				SHEET: 01/01	X° ±1°
				REV.: D	