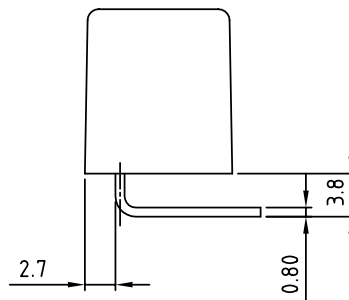


P.C.B LAYOUT




SIGN	DATE	DESCRIPTION	APPROVER
△	11/20'12	Change the screw plating specification	Jacky
△	11/20'12	Change the electrical specification	Jacky
△	11/20'12	Change the dimensional tolerance	Jacky

THIS IS CAD DRAWING, DO NOT REVISE MANUALLY!!!

MATERIALS ELECTRICAL

- RATED VOLTAGE & CURRENT: 250 V, 15 A  
 WITHSTAND VOLTAGE: AC 2000 V/Min  
 INSULATION RESISTANCE: 1000 MΩ OR MORE AT DC 500 V  
 △ OPERATING TEMPERATURE RANG: -40 °C ~ +115 °C  
 SCREW TORQUE VALUE: 5.3 Lb-In.  
 WIRE RANGE: 22 - 16 AWG  
 1) MOLDED PARTS: POLYIMIDE 66, UL 94 V-0 BLACK  
 2) TERMINAL: BRASS, 0.8t, Tin PLATED  
 △ 3) TERMINAL SCREWS: STEEL, M3

APPROVAL:   
 Critical dimension:

YK 311 xx 0 x x 00G

- NO. OF POLES  
 02: 2 POLES  
 03: 3 POLES  
 04: 4 POLES  
 :  
 :  
 30: 30 POLES

G:RoHS compliant(lead<4%)  
 in copper alloy  
 MARK  
 0: "@ " MARK  
 1: "ANY " MARK

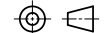
TERMINAL & SCREW PLATED  
 0: TERMINAL & SCREW: G/F  
 △ 1: TERMINAL: G/F, SCREW: Zinc  
 2: TERMINAL: Sn, SCREW: G/F  
 △ 3: TERMINAL: Sn, SCREW: Zinc

DIM		TOL				
		2P-5P	6P-10P	11P-16P	17P-24P	25P-30P
Dim A	(N-1)×7.62+9.12	±0.20	±0.25	±0.35	±0.40	±0.50
Dim B	(N-1)×7.62	±0.20	±0.25	±0.35	±0.40	±0.50

**ANYTEK**

**CUSTOMER COPY**

ALL RIGHTS RESERVED. REPRODUCTION OR ISSUE TO THIRD PARTIES IN ANY FORM WHATSOEVER IS NOT PERMITTED WITHOUT WRITTEN AUTHORITY FROM THE PROPRIETOR. PROPERTY OF ANYTEK TECHNOLOGY CO., LTD

TITLE		YK-311 W/O Flange Series					
PART NO.		YK311xx0xx00G		DWG NO.		8YK0001-311	
APPROVED	CHECKED	DESIGNED	DRAWN	CUST NO.		Tolerance	
		Jacky 2012.11.20	Jacky 2012.11.20			X.	±0.50
				 UNIT: mm SCALE: NONE		X.X	±0.30
						SHEET: 01/01	
				REV.: C		X°	±1°