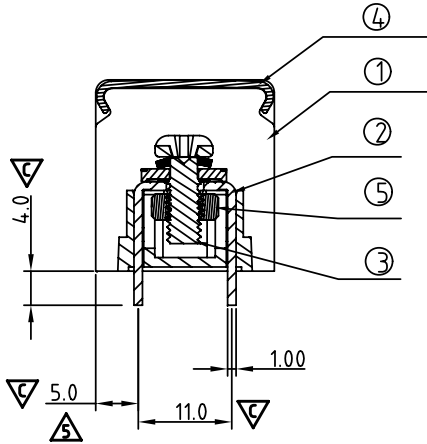
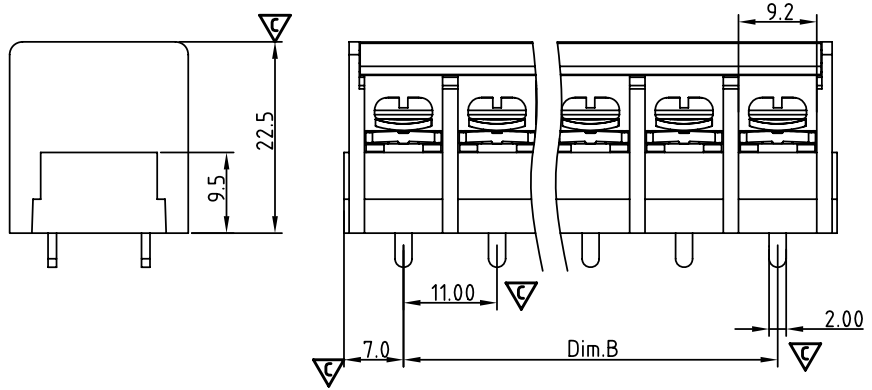
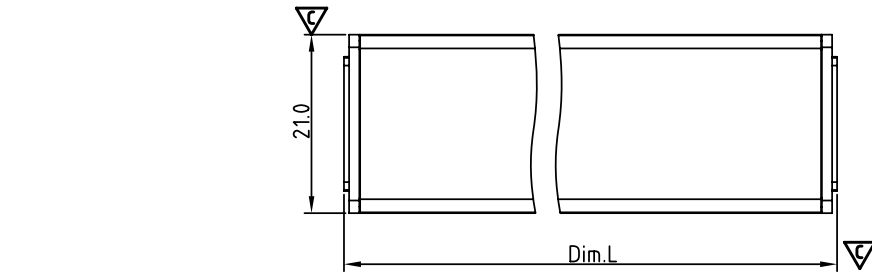


SIGN	DATE	DESCRIPTION	APPROVER
⚠	04/26 11	The wire range is changed from 18 - 10 AWG to 18 - 8 AWG	Tason
⚠	04/26 11	Change here	Tason
⚠	04/26 11	Add the Voltage&Current 600V 5A	Tason
⚠	04/26 11	Voltage changed is from 2000V to 2500V	Tason
⚠	05/20 11	The dimension is changed from 5.00 to 5.0	Tason
⚠	05/20 11	Add the Critical dimension	Tason
⚠	12/11'12	Change the screw plating specification	Jacky
⚠	12/11'12	Change the dimensional tolerance	Jacky

THIS IS CAD DRAWING, DO NOT REVISE MANUALLY!!!



MATERIALS ELECTRICAL

RATED VOLTAGE & CURRENT: 300 V, 40A / 600 V,5A

WITHSTAND VOLTAGE: ⚠ AC 2500 V/Min

INSULATION RESISTANCE: 1000 MΩ OR MORE AT DC 1000 V

OPERATING TEMPERATURE RANG: -40 °C ~ +115°C

SCREW TORQUE VALUE: 16Lb-In.

WIRE RANGE: ⚠ 18 - 8AWG

1) BODY: THERMOPLASTICS, UL94-V0 BLACK

2) TERMINAL: BRASS, 1.6t, Tin PLATED

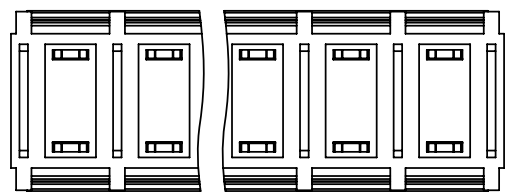
⚠ 3) TERMINAL SCREWS WITH WASHER: STEEL, M4.0

4) COVER: PC, TRANSPARENT

5) TERMINAL NUT: STEEL Ni PLATED M4.0

APPROVAL: Us ⚠

● Critical dimension: ▽



YK 70A xx 2 x x 00G

NO. OF POLES

02: 2 POLES

03: 3 POLES

05: 5 POLES

⋮

16: 16 POLES

G RoHS compliant (lead<4%) In copper Alloy

MARK

0: "@ " MARK

1: "ANY" MARK

TERMINAL & SCREW PLATED

0: TERMINAL & SCREW: G/F

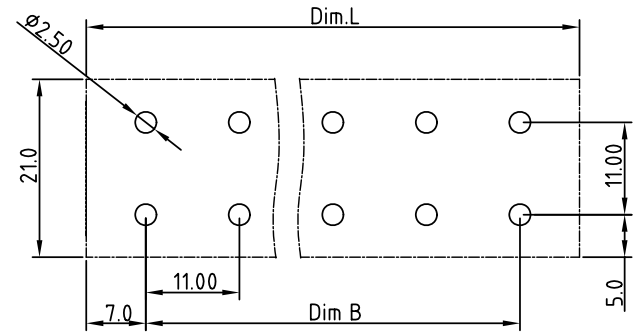
⚠ 1: TERMINAL: G/F, SCREW: Zinc

2: TERMINAL: Sn, SCREW: G/F

⚠ 3: TERMINAL: Sn, SCREW: Zinc

N= Number of poles
 Dim.B= (N-1)x11.0
 Dim.L= (N-1)x11.0+14.0

POLE	2-8P	9-16P
Dim.B	±0.40	±0.50
Dim.L	±0.40	±0.50



P.C.B LAYOUT

ANYTEK				CUSTOMER COPY	
ALL RIGHTS RESERVED. REPRODUCTION OR ISSUE TO THIRD PARTIES IN ANY FORM WHATSOEVER IS NOT PERMITTED WITHOUT WRITTEN AUTHORITY FROM THE PROPRIETOR. PROPERTY OF ANYTEK TECHNOLOGY CO., LTD					
TITLE		YK70A With cover and W/o flange SERIES			
PART NO.		YK70Axx2xx00G		DWG NO. 8YK0002-70A	
APPROVED		CHECKED	DESIGNED	DRAWN	CUST NO.
				Jacky 2012.12.11	
				Tolerance	
				UNIT: mm	X. ±0.50
				SCALE: NONE	X.X ±0.30
				SHEET: 01/01	X.XX ±0.10
				REV.: D	X° ±1°