

SIGN	DATE	DESCRIPTION	APPROVER
△	2/07'06	Wire range changed from 22-14 AWG to 22-12 AWG	Tony
△	2/07'06	Part No. changed	Tony
△	7/11'06	Dimesion changed from 5.7 to 4.2	Tony
△	2006.08.3	Screw torque value changed from 10.4Lb-in to 12Lb-in	梁仁松
△	2006.08.3	Approval changed	梁仁松
△	3/27'09	Structure changed	JODY
△	3/27'09	Temperature changed from -40~105°C to -40~115°C	JODY
△	11/13'12	Change the screw plating specification	Jacky
△	11/13'12	Change the dimensional tolerance	Jacky

THIS IS CAD DRAWING, DO NOT REVISE MANUALLY!!!

**MATERIALS ELECTRICAL**

RATED VOLTAGE & CURRENT: 300 V, 20 A  
 WITHSTAND VOLTAGE: AC 2000 V/Min  
 INSULATION RESISTANCE: 1000 MΩ OR MORE AT DC 500 V  
 OPERATING TEMPERATURE RANG: △ -40 °C ~ +115 °C  
 △ SCREW TORQUE VALUE: 12Lb-in.  
 △ WIRE RANGE: 22 - 12 AWG  
 1) MOLDED PARTS: POLYIMIDE 66, UL 94 V-0 BLACK  
 2) TERMINAL: BRASS, 0.8t, Tin PLATED  
 3) TERMINAL SCREWS: STEEL, M3.5  
 △ 4) COVER MATERIAL: PC

△ APPROVAL:  us

Critical dimension: ▽

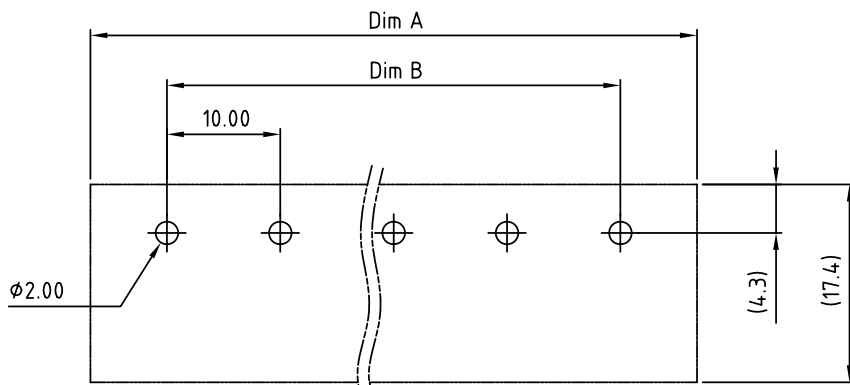
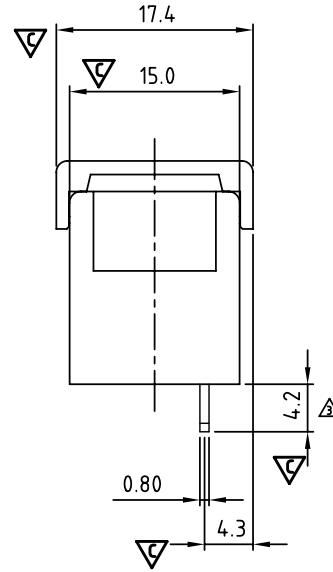
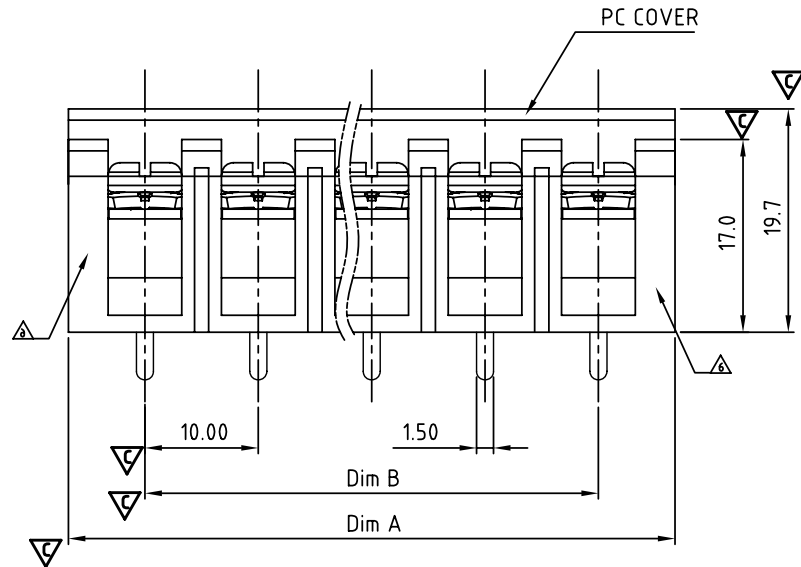
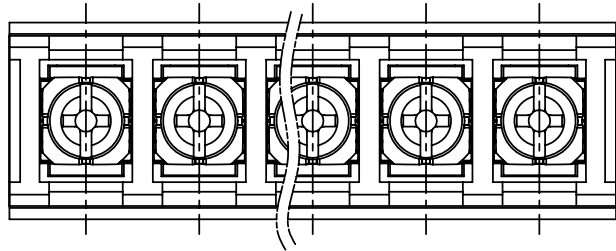
△ PART NO.: YK 604 xx 2 x x 00G

NO. OF POLES  
 04: 4 POLES  
 05: 5 POLES  
 06: 6 POLES  
 ⋮  
 30: 30 POLES

G:RoHS compliant(lead<4%)  
 in copper alloy

MARK  
 0: "@ " MARK  
 1: "ANY" MARK

TERMINAL & SCREW PLATED  
 0: TERMINAL & SCREW: G/F  
 △ 1: TERMINAL: G/F, SCREW: Zinc  
 2: TERMINAL: Sn, SCREW: G/F  
 △ 3: TERMINAL: Sn, SCREW: Zinc



P.C.B LAYOUT

N=Number of contacts  
 Dimension A&B

DIM A	N×10+3.5
DIM B	(N-1)×10

Poles	Tolerance
4p-10p	±0.40
11p-20p	±0.60
21p-30p	±0.80

**ANYTEK**

**CUSTOMER COPY**

ALL RIGHTS RESERVED. REPRODUCTION OR ISSUE TO THIRD PARTIES IN ANY FORM WHATEVER IS NOT PERMITTED WITHOUT WRITTEN AUTHORITY FROM THE PROPRIETOR. PROPERTY OF ANYTEK TECHNOLOGY CO., LTD

TITLE		YK-604 Without Flange&With Cover Series(4P-30P)			
PART NO.		YK604xx2xx00G		DWG NO. 8YK0001-604	
APPROVED	CHECKED	DESIGNED	DRAWN	CUST NO.	
		Jacky 2012.11.13	Jacky 2012.11.13		
				Tolerance	
				UNIT: mm	X. ±0.50
				SCALE: NONE	X.X ±0.30
					X.XX ±0.10
					X° ±1°
SHEET: 01/01				REV.: G	