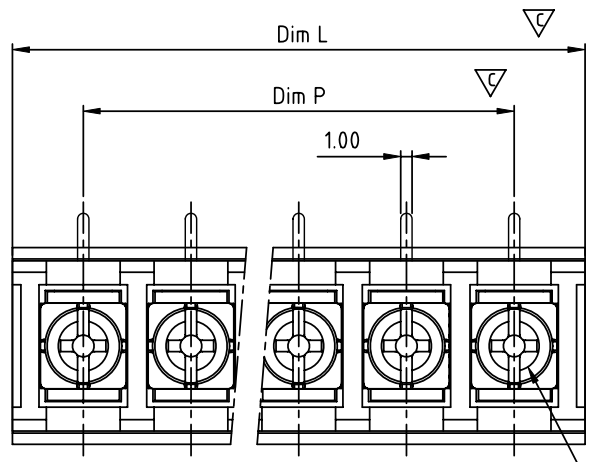


SIGN	DATE	DESCRIPTION	APPROVER
△	10/05'11	The Dimension 6.2 are added	Chen Bo
△	10/05'11	Temperature changed from -40 °C +115 °C to +115 °C	Chen Bo
△	10/27'12	Change the screw plating specification	Jacky
△	06/05'14	change the structure	Guoxue
△	06/05'14	Change the dimensional tolerance	Guoxue
△	08/26'14	The dimensional tolerance is change from 17.4±0.30 to 17.4 <sup>+0.60</sup> <sub>-0.30</sub>	Airy min

*THIS IS CAD DRAWING, DO NOT REVISE MANUALLY!!!*



(N=Number of poles)

Dim.L	N×9.5+3.0
Dim.P	(N-1)×9.5

Poles	Tolerance
4P	±0.20
5P-10P	±0.30
11P-24P	±0.40
25P-30P	±0.60

△

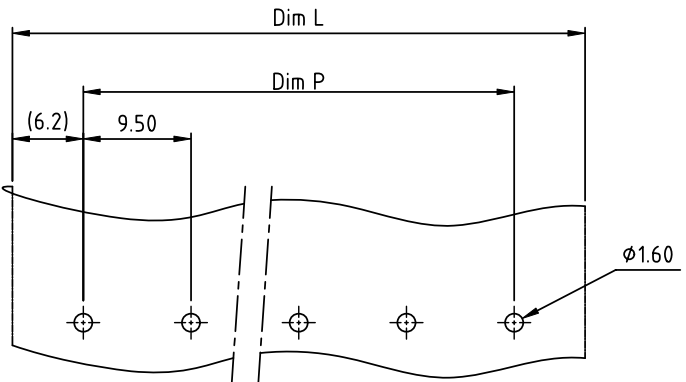
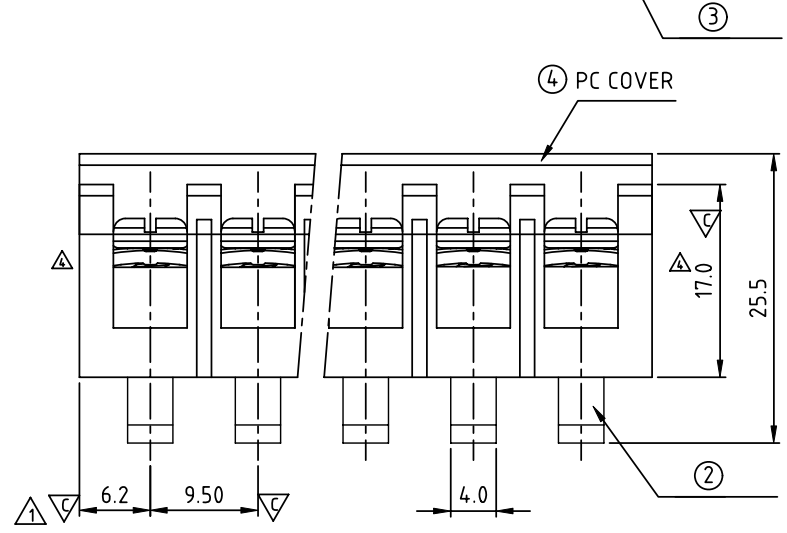
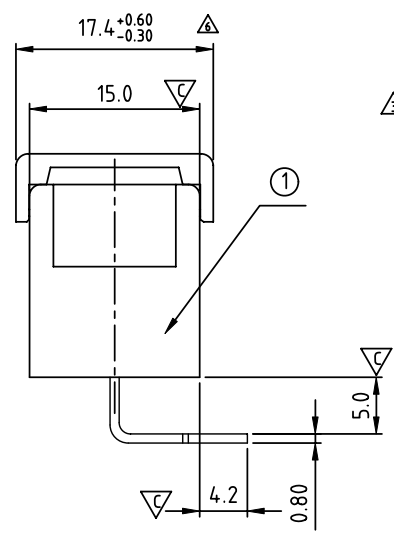
MATERIALS ELECTRICAL  
 RATED VOLTAGE & CURRENT: 300 V, 20 A  
 WITHSTAND VOLTAGE: AC 2000 V/Min  
 INSULATION RESISTANCE: 1000 MΩ OR MORE AT DC 500 V  
 OPERATING TEMPERATURE RANG: -40 °C ~ +115 °C  
 SCREW TORQUE VALUE: 12 Lb-In.  
 WIRE RANGE: 22 - 12AWG  
 1) MOLDED PARTS: POLYIMIDE 66, UL 94 V-0 BLACK  
 2) TERMINAL: BRASS, 0.8t  
 3) TERMINAL SCREWS: STEEL, M3.5  
 4) COVER MATERIAL: PC

APPROVAL: us  
 Critical dimension: ▽

YK 503 xx 2 x x 00G

NO. OF POLES  
 04: 4 POLES  
 05: 5 POLES  
 06: 6 POLES  
 ⋮  
 30: 30 POLES

G:RoHS compliant(lead<4%)  
 in copper alloy  
 MARK  
 0: "@ " MAK  
 1: "ANY" MAK  
 TERMINAL & SCREW PLATED  
 0: TERMINAL & SCREW: G/F  
 1: TERMINAL: G/F, SCREW: Zinc  
 2: TERMINAL: Sn, SCREW: G/F  
 3: TERMINAL: Sn, SCREW: Zinc



P.C.B LAYOUT

<b>ANYTEK</b>				<b>CUSTOMER COPY</b>			
ALL RIGHTS RESERVED. REPRODUCTION OR ISSUE TO THIRD PARTIES IN ANY FORM WHATSOEVER IS NOT PERMITTED WITHOUT WRITTEN AUTHORITY FROM THE PROPRIETOR. PROPERTY OF ANYTEK TECHNOLOGY CO., LTD							
TITLE		YK-503 W/O Flange & With cover Series (4P-30P)					
PART NO.		YK503xx2xx00G		DWG NO.		8YK0001-503	
APPROVED		CHECKED	DESIGNED	DRAWN	CUST NO.		Tolerance
			Airy min	Airy min			X. ±0.50
			2014.08.26	2014.08.26			X.X ±0.30
							X.XX ±0.10
							X° ±1°
						UNIT: mm	
						SCALE: NONE	
						REV.: F	
				SHEET: 01/01			