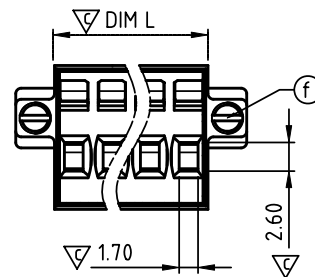
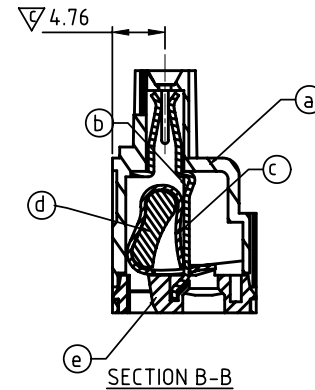
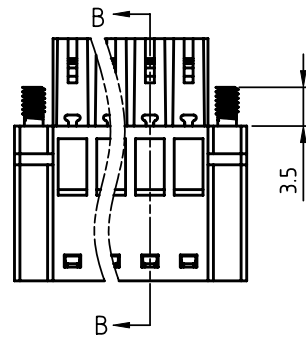
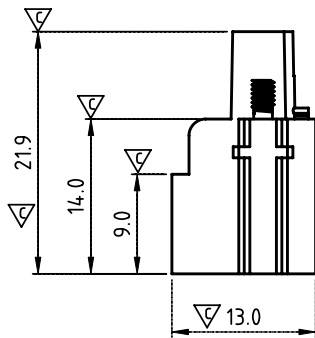
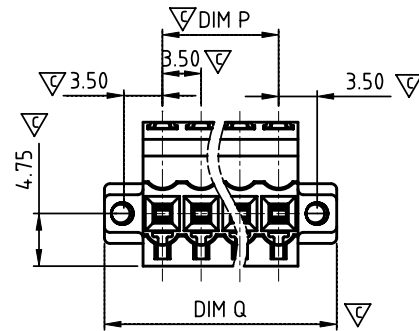


SIGN	DATE	DESCRIPTION	APPROVER
△	11/29'13	Add is cULus // update the drawing	Da cheng
△			

THIS IS CAD DRAWING, DO NOT REVISE MANUALLY!!!



Material

- Item a Terminal Body: Thermoplastic (UL94V-0)
- Item b Female contact: Phbz ,Tin plated
- Item c Wire guard: Stainless Steel
- Item d Insulating spacer :Thermoplastic (UL94V-0)
- Item e Terminal Cover: Thermoplastic (UL94V-0)
- Item f With flange screw: Zinc plating"-slot type,M2.0

△ Electrical

cULus

- Voltage rating: 300V
- Current rating: 10A
- Wire range:
 - Solid wire(AWG): 14-26
 - Stranded wire(AWG): 14-26
- Wire strip length: 10 11mm
- Withstanding Voltage: 1.6KV
- Operating temperature: -40°C to +115°C
- Safety Approval:
- Critical dimension:

HN xx 1 0 x 2 xxxx G

- No. OF POLES
- 02 2 CONTACTS
 - 03 3 CONTACTS
 -
 - 24 24 CONTACTS

- △ Color
- 0 Black (RAL9005)
 - 2 Red (RAL3001/D)
 - 3 Orange(RAL2011/P)
 - 4 Yellow(RAL1018/A)
 - 5 Green(RAL6018/T)
 - 6 Blue (RAL5015/A)
 - 8 Grey(RAL7035/D)
 - 9 White(RAL1102)
 - C Green (RAL 6018/U)

RoHS compliant
(lead<4%)
In copper Alloy
0000: "@ " Logo (Standard)
000A: "ANYTEK" Mark
Any special item by
customer request.
please contact sales
department.

DIMENSION

DIM L	Nx3.5
DIM P	(N-1)x3.5
DIM Q	(N+2)x3.5

N=Number of contacts

Poles	Tolerance	DIM L	DIM P	DIM Q
2pole~6pole		±0.15	±0.15	±0.20
7pole~12pole		±0.20	±0.20	±0.25
13pole~18pole		±0.25	±0.25	±0.30
19pole~24pole		±0.30	±0.30	±0.40

ANYTEK

CUSTOMER COPY

ALL RIGHTS RESERVED. REPRODUCTION OR ISSUE TO THRD PARTIES IN ANY FORM WHATEVER IS NOT PERMITTED WITHOUT WRITTEN AUTHORITY FROM THE PROPRIETOR. PROPERTY OF ANYTEK TECHNOLOGY CO., LTD

TITLE		HN 3.5 (2P-24P) series with flange			
PART NO.	HNxx10x2xxxxG		DWG NO.	8HN0102	
APPROVED	CHECKED	DESIGNED	DRAWN	CUST NO.	Tolerance
		Da cheng 2013.11.29	Da cheng 2013.11.29		X. ±0.50 X.X ±0.30 X.XX ±0.10 X° ±1°
SHEET: 01/01				UNIT: mm SCALE: NONE REV.: C	