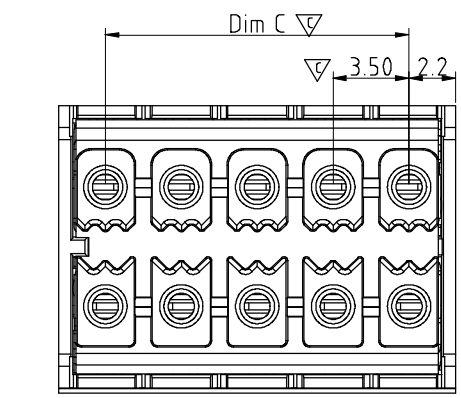
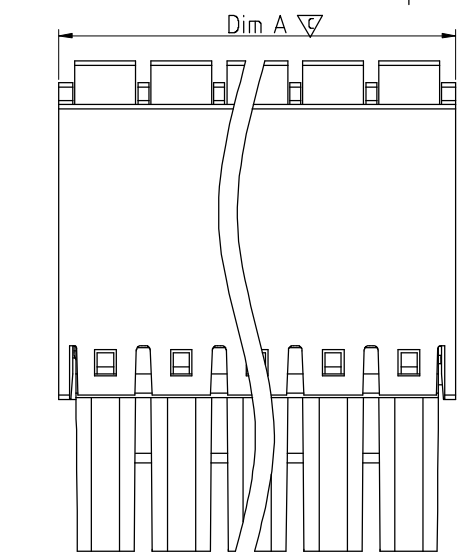
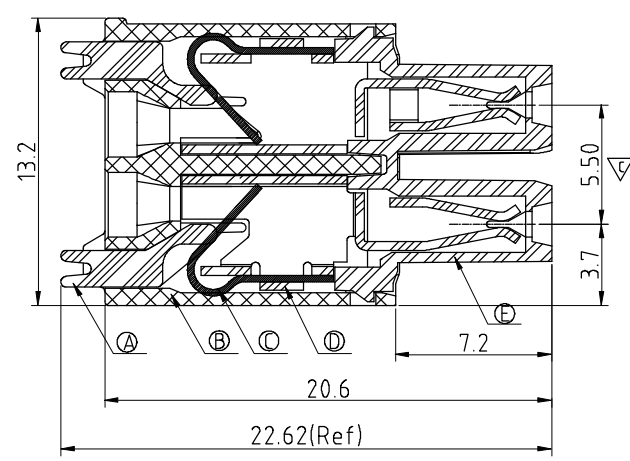
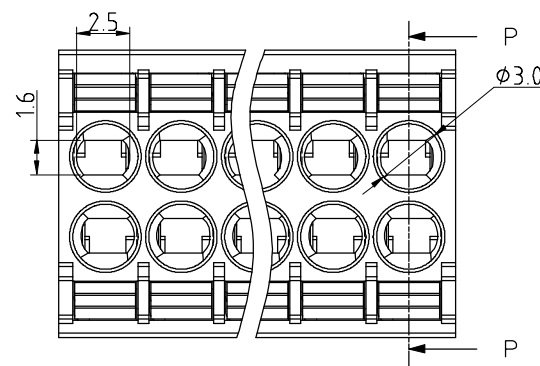


SIGN	DATE	DESCRIPTION	APPROVER
△	08/11'15	Update the drawing	Airy min
△			

THIS IS CAD DRAWING, DO NOT REVISE MANUALLY!!!



$$\text{DimA} = (N/2 - 1) \times 3.5 + 4.3$$

$$\text{DimC} = (N/2 - 1) \times 3.5$$

N=Number of poles

POLES	Tol	Dim.	Dim. A/C
2x2p-2x6p			±0.15
2x7p-2x12p			±0.25
2x13p-2x16p			±0.30
2x17p-2x24p			±0.40

- Material:
- Item A Terminal lever: Thermoplastic (UL94V-0) Orange (RAL2011/P)
 - Item B Terminal top housing: Thermoplastic (UL94V-0)
 - Item C Spring clamp : Stainless steel
 - △ Item D Female contact : PhBz Bright Tin plated over Nickel plated
 - Item E Terminal down housing: Thermoplastic (UL94V-0)

- Electrical: cULus
- Voltage rating: 300 V
 - Current rating: 5.5 A
 - Wire range:
 - Solid wire(AWG): 16-24
 - Stranded wire(AWG): 16-24
 - Wire strip length: 9-10 mm
 - Withstanding Voltage: 1.3 KV
 - Operating temperature: -40°C to +115°C
 - Safety Approval:
 - Critical dimension:

NL xx 1 0 x 2 xxxxG

- | | | |
|----------------|----------------------|---|
| No. OF POLES | Body color | RoHS compliant (lead<4%)
In copper Alloy |
| 04: 2x2 POLES | 0 Black (RAL9005) | |
| 06: 2x3 POLES | 2 Red (RAL3001/D) | |
| : | 3 Orange(RAL2011/P) | |
| 48: 2x24 POLES | 4 Yellow(RAL1018/A) | △ 00G0: "@ Logo (Standard) |
| | 5 Green(RAL6018/T) | 00GA: "ANYTEK" Mark |
| | 6 Blue (RAL5015/A) | Any special item by customer request. |
| | 8 Grey(RAL7035/D) | please contact sales department. |
| | 9 White(RAL1102) | |
| | C Green (RAL 6018/U) | |

<h1>ANYTEK</h1>		<h2>INSPECTION COPY</h2>	
ALL RIGHTS RESERVED. REPRODUCTION OR ISSUE TO THIRD PARTIES IN ANY FORM WHATSOEVER IS NOT PERMITTED WITHOUT WRITTEN AUTHORITY FROM THE PROPRIETOR. PROPERTY OF ANYTEK TECHNOLOGY CO., LTD			
TITLE	NL 3.5mm W/o Flange Series		
PART NO.	NLxx10x2xxxxG △	DWG NO.	8NL0002
APPROVED	CHECKED	DESIGNED	DRAWN
		Airy min 2015.08.11	Airy min 2015.08.11
SHEET: 01/01		UNIT: MM	Tolerance
REV.: C		SCALE: NONE	X. ±0.50
			X.X ±0.30
			X.XX ±0.10
			X° ±1°