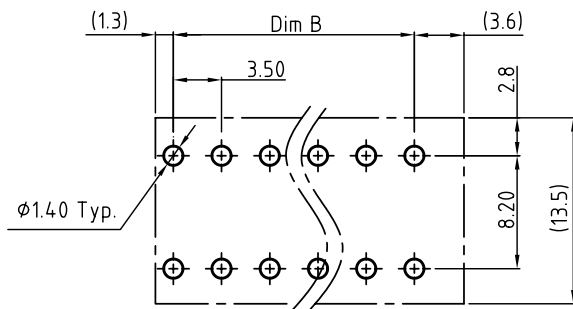
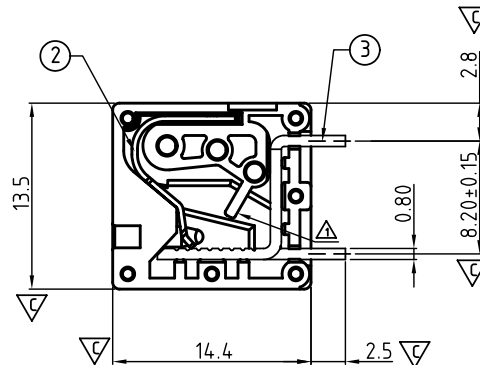
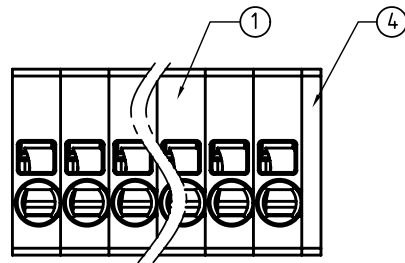


DIMENSION

Dim A	NX3.50+1.40
Dim B	(N-1)X3.50

N=Number of contacts

Poles	Tolerance
1p-6p	±0.10
7p-12p	±0.20
13p-18p	±0.30
19p-24p	±0.40



△ P.C.B. LAYOUT
Top view

SIGN	DATE	DESCRIPTION	APPROVER
△	04/05'13	change the structure & update the drawing	Da cheng
△			
△			
△			
△			
△			

THIS IS CAD DRAWING, DO NOT REVISE MANUALLY!!!

Material:

- Item 1 Terminal housing : Thermoplastic (UL 94V-0)
- Item 2 Spring clamp: Stainless steel
- Item 3 Solder pin : Brass ,Tin plated
- Item 4 Terminal cover : Thermoplastic (UL 94V-0)

Electrical

- Voltage rating: 300VAC
- Current rating: 10A
- Wire range:
- Solid wire(AWG): 16-24
- Stranded wire(AWG): 16-24
- Wire strip length: 9-10mm
- Withstanding Voltage: 1.6KV
- Operating temperature: -40°C to +115°C
- Soldering temperature: 260°C±5°C/5 Sec
- Critical dimension: ▽

NJ xx 20 x 0 xxxx G

No. of poles

- 01 1 CONTACTS
- 02 2 CONTACTS
- 03 3 CONTACTS
-
- 24 24 CONTACTS

△ Color

- 0 Black (RAL9005)
- 2 Red (RAL3001/D)
- 3 Orange(RAL2011/P)
- 4 Yellow(RAL1018/A)
- 5 Green(RAL6018/T)
- 6 Blue (RAL5015/A)
- 8 Grey(RAL7004/P)
- 9 White(RAL1102)
- C Multiple colors

△ RoHs compliant
(lead<4%)
In copper Alloy

0000:"@“Logo (Standard)
000A:"ANYTEK“Logo
Any special item by
customer request,
please contact sales
department.

ANYTEK				CUSTOMER COPY				
ALL RIGHTS RESERVED. REPRODUCTION OR ISSUE TO THIRD PARTIES IN ANY FORM WHATSOEVER IS NOT PERMITTED WITHOUT WRITTEN AUTHORITY FROM THE PROPRIETOR. PROPERTY OF ANYTEK TECHNOLOGY CO., LTD								
TITLE		NJ- 3.5 Series 1P-24P Vertical (90D wire inlet)						
PART NO.		NJxx20x0xxxxG			DWG NO.		8NJ0002	
APPROVED	CHECKED	DESIGNED	DRAWN	CUST NO.		Tolerance		
		Da cheng 2013.04.05	Da cheng 2013.04.05			X.	±0.50	
						UNIT: mm	X.X	±0.30
						SCALE: NONE	X.XX	±0.10
						REV: C	X°	±1°
				SHEET: 01/01				