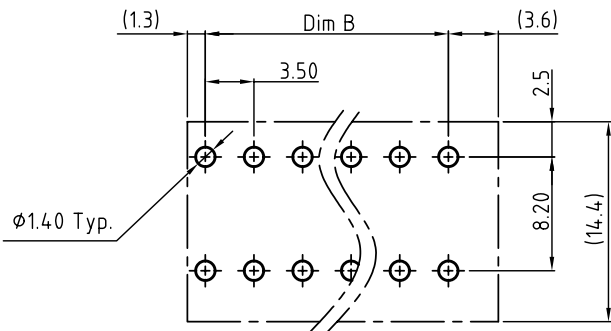
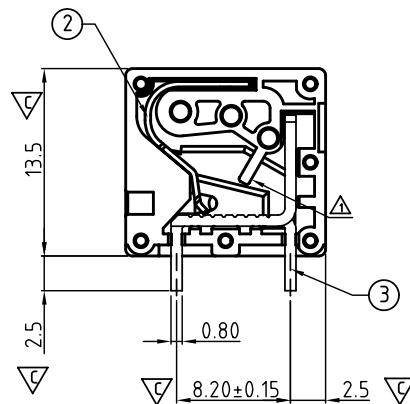
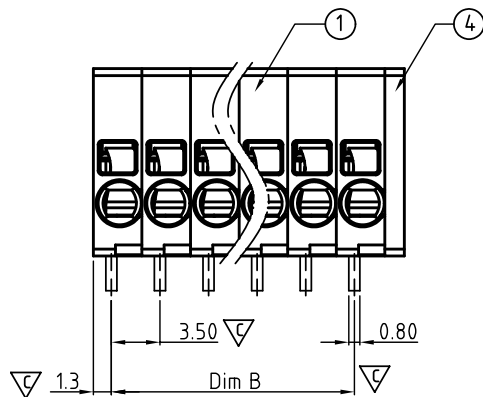


DIMENSION

Dim A	NX3.50*1.40
Dim B	(N-1)X3.50

N=Number of contacts

Poles	Tolerance
1p-6p	±0.10
7p-12p	±0.20
13p-18p	±0.30
19p-24p	±0.40



△ P.C.B. LAYOUT
Top view

SIGN	DATE	DESCRIPTION	APPROVER
△	04/05'13	change the structure & update the drawing	Da cheng
△			
△			
△			
△			
△			

THIS IS CAD DRAWING, DO NOT REVISE MANUALLY!!!

Material:

- Item 1 Terminal housing : Thermoplastic (UL 94V-0)
- Item 2 Spring clamp: Stainless steel
- Item 3 Solder pin : Brass ,Tin plated
- Item 4 Terminal cover : Thermoplastic (UL 94V-0)

Electrical

- Voltage rating: 300VAC
- Current rating: 10A
- Wire range:
- Solid wire(AWG): 16-24
- Stranded wire(AWG): 16-24
- Wire strip length: 9-10mm
- Withstanding Voltage: 1.6KV
- Operating temperature: -40°C to +115°C
- △ ● Soldering temperature: 260°C±5°C/5 Sec
- Critical dimension: ▽

NJ xx 21 x 0 xxxx G

No. of poles	△ Color	△ RoHs compliant (lead<4%) In copper Alloy
01 1 CONTACTS	0 Black (RAL9005)	
02 2 CONTACTS	2 Red (RAL3001/D)	0000:"@ "Logo (Standard)
03 3 CONTACTS	3 Orange(RAL2011/P)	000A:"ANYTEK"Logo
...	4 Yellow(RAL1018/A)	Any special item by customer request,
24 24 CONTACTS	5 Green(RAL6018/T)	please contact sales department.
	6 Blue (RAL5015/A)	
	8 Grey(RAL7004/P)	
	9 White(RAL1102)	
	C Multiple colors	

ANYTEK

CUSTOMER COPY

ALL RIGHTS RESERVED. REPRODUCTION OR ISSUE TO THIRD PARTIES IN ANY FORM WHATSOEVER IS NOT PERMITTED WITHOUT WRITTEN AUTHORITY FROM THE PROPRIETOR. PROPERTY OF ANYTEK TECHNOLOGY CO., LTD

TITLE	NJ- 3.5 Series 1P-24P Horizontal (180D wire inlet)			DWG NO.	8NJ0001	
PART NO.	NJxx21x0xxxxG			CUST NO.		
APPROVED	CHECKED	DESIGNED	DRAWN			Tolerance
		Da cheng 2013.04.05	Da cheng 2013.04.05			X. ±0.50
					UNIT: mm	X.X ±0.30
					SCALE: NONE	X.XX ±0.10
				SHEET: 01/01	REV: C	X° ±1°