

SIGN	DATE	DESCRIPTION	APPROVER
△			
THIS IS CAD DRAWING, DO NOT REVISE MANUALLY!!!			

Material:

- Item ① Terminal housing: Thermoplastic (UL94V-0)
- Item ② Pad board(With pillar): Thermoplastic (UL94V-0)
- Item ③ Pad board(With holder): Thermoplastic (UL94V-0)
- Item ④ Terminal housing(With pillar): Thermoplastic (UL94V-0)
- Item ⑤ Terminal cover: Thermoplastic (UL94V-0)
- Item ⑥ Female contact: PhBz. Tin plated
- Item ⑦ Spring Clamp: Stainless steel

Electrical:

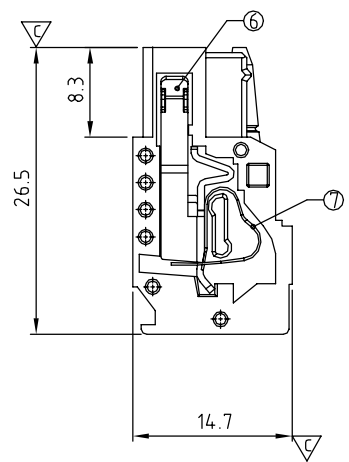
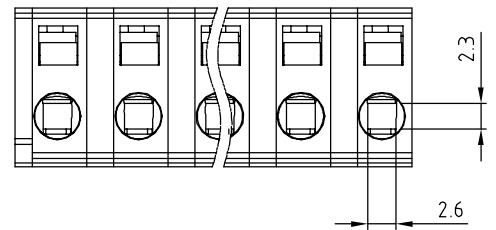
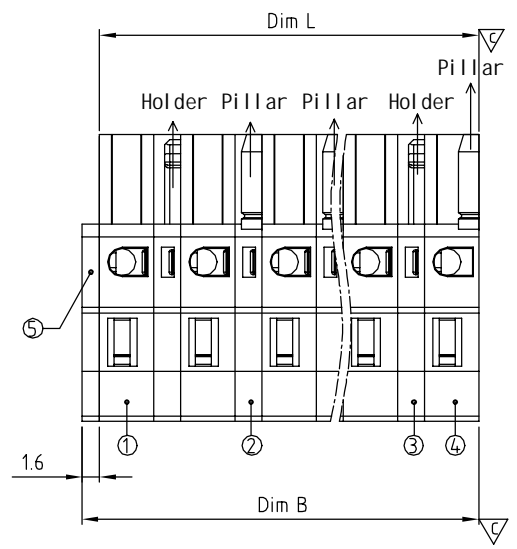
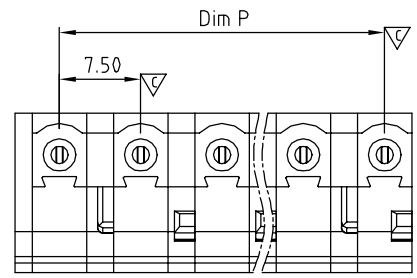
- Voltage rating: 300 V
- Current rating: 8 A
- Wire range:
- Solid wire(AWG): 12-28
- Stranded wire(AWG): 12-28
- Wire strip length: 8-9 mm
- Withstanding Voltage: 1.6KV
- Operating temperature: -40°C to +115°C
- Critical dimension: ▽

HI xx 2 1 x 0 xxxx G

No. OF POLES
02: 2 POLES
:
16: 16 POLES

COLOR
0: BLACK (RAL 9005)
5: GREEN (RAL 6018/T)
6: BLUE (RAL 5015/A)
8: GREY (RAL 7035/D)

G: Pb<40000ppm
0000: Standard
Any special item by customer request. please contact sales department.



N = Number of poles

DIM	TOL				
	2P-4P	5P-8P	9P-12P	13P-16P	
Dim L	Nx7.5-2.5	±0.15	±0.25	±0.30	±0.40
Dim P	(N-1)x7.5	±0.15	±0.25	±0.30	±0.40
Dim B	Nx7.5-0.9	±0.15	±0.25	±0.30	±0.40

Layout of Holder and Pillar:

2P	Holder+Pillar
3P	Holder+Holder+Pillar
4P	Holder+Pillar+Holder+Pillar
5P	Holder+Pillar+Pillar+Holder+Pillar
5P over	Holder+Pillar+Pillar+Pillar+Holder+Pillar

ANYTEK				CUSTOMER COPY			
ALL RIGHTS RESERVED. REPRODUCTION OR ISSUE TO THIRD PARTIES IN ANY FORM WHATSOEVER IS NOT PERMITTED WITHOUT WRITTEN AUTHORITY FROM THE PROPRIETOR. PROPERTY OF ANYTEK TECHNOLOGY CO., LTD							
TITLE	HI 7.5mm -With hook 100% protected against mismatching						
PART NO.	HIxx21x0xxxxG			DWG NO.	8HI0701		
APPROVED	CHECKED	DESIGNED	DRAWN	CUST NO.	Tolerance		
			Chen Bo 2011.05.31				
					UNIT: mm	X.	±0.50
					SCALE: NONE	X.X	±0.30
					SHEET: 01/01	X.XX	±0.10
					REV.: B	X°	±1°