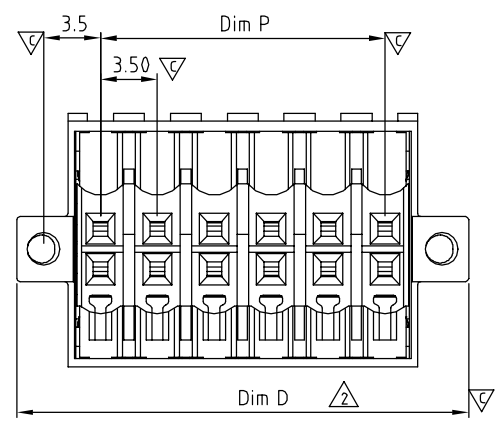
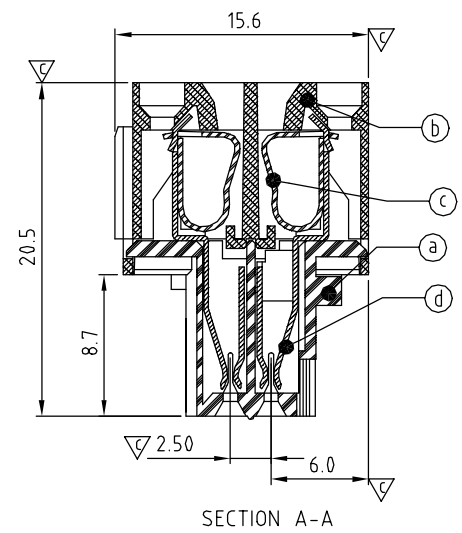
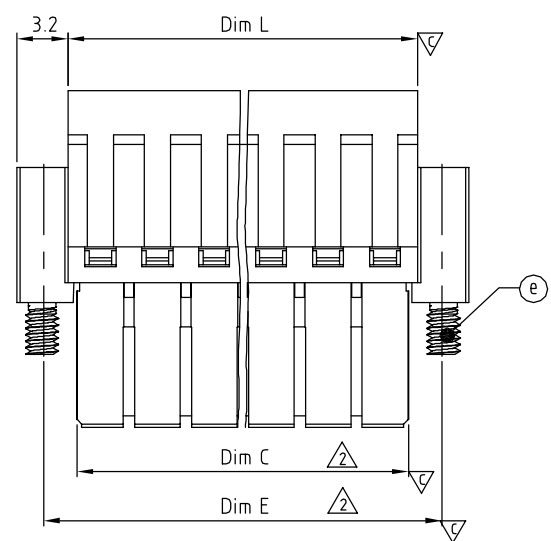
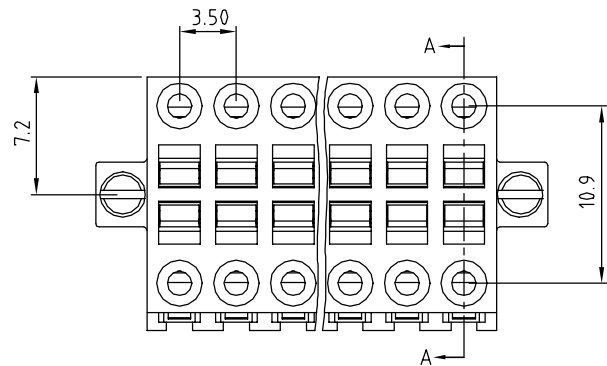


SIGN	DATE	DESCRIPTION	APPROVER
△	05/24 '11	The cULus is added	Runner
△	05/24 '11	The dimension is added	Runner

THIS IS CAD DRAWING, DO NOT REVISE MANUALLY!!!



N=Number of poles

Dim L	$(N/2-1) \times 3.5 + 4.0$
Dim P	$(N/2-1) \times 3.5$
Dim C	$N/2 \times 3.5 - 0.6$
Dim D	$(N/2-1) \times 3.5 + 10.3$
Dim E	$(N/2-1) \times 3.5 + 7.0$

POLES	Dim. Tol	Dim.L	Dim.P	Dim.C	Dim.D	Dim.E
2x2p-2x6p		±0.15	±0.10	+0.0 -0.15	±0.10	±0.15
2x7p-2x12p		±0.25	±0.20	+0.0 -0.20	±0.20	±0.25
2x13p-2x18p		±0.30	±0.25	+0.0 -0.25	±0.25	±0.30
2x19p-2x24p		±0.40	±0.35	+0.0 -0.30	±0.35	±0.40

Material

- Item ① Terminal up housing Thermoplastic (UL94V-0)
- Item ② Terminal down housing Thermoplastic (UL94V-0)
- Item ③ Spring clamp Stainless steel
- Item ④ Female contact PhBz , Tin plated
- Item ⑤ With flange screw steel M2.0 Zinc plated "--" slot type

Electrical

cULus

- Voltage rating: 150V
- Current rating: 7A
- Solid wire(AWG): 18-28
- Stranded wire(AWG): 18-28
- Wire strip length: 7-8mm
- Withstanding Voltage: 1.6KV
- Operating temperature: -40°C to +115°C
- Safety Approval: us
- Critical dimension: ▽

VWxx10x1xxxxG

RoHS
Pb=40,000ppm

NO of poles	0	Black	0000 Standard @ Logo
04 2x2 CONTACTS	3	Orange	000A Standard ANY Logo
06 3x2 CONTACTS	5	Green	Any special item by customer request,
... ..	6	Blue	please contact sales department.
48 24x2 CONTACTS	8	Grey	

ANYTEK				INSPECTION COPY			
ALL RIGHTS RESERVED. REPRODUCTION OR ISSUE TO THIRD PARTIES IN ANY FORM WHATSOEVER IS NOT PERMITTED WITHOUT WRITTEN AUTHORITY FROM THE PROPRIETOR. PROPERTY OF ANYTEK TECHNOLOGY CO., LTD							
TITLE		VW 3.5mm Series With flange					
PART NO.		VWxx10x1xxxxG			DWG NO.		8VW0001
APPROVED		CHECKED	DESIGNED	DRAWN	CUST NO.		Tolerance
			Runner	Chen Bo			X. ±0.50
			2011.05.25	2011.05.25			X.X ±0.30
						UNIT: mm	X.XX ±0.10
						SCALE: NONE	X° ±1°
				SHEET: 01/01		REV.: C	