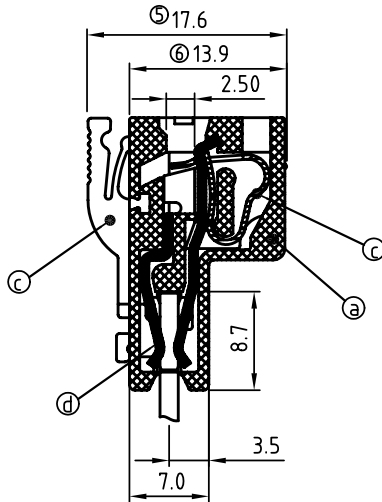
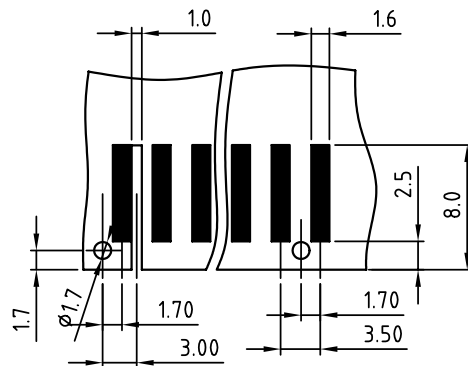
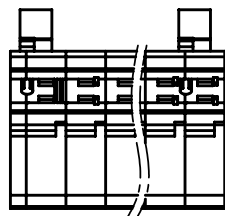
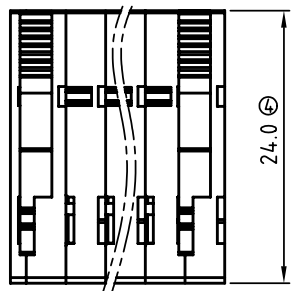
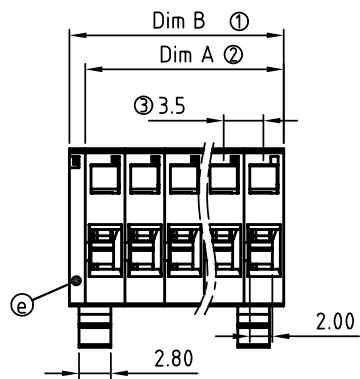


SIGN	DATE	DESCRIPTION	APPROVER
△			
<b>THIS IS CAD DRAWING, DO NOT REVISE MANUALLY!!!</b>			



**Material**

- Item (a) Insulator (Body): Thermoplastic (UL94V-0)
- Item (b) Insulator (Lever): Thermoplastic (UL94V-0)
- Item (c) Spring clamp : Stainless Steel
- Item (d) Female Contact : PhBz(CuSn), Tin plated
- Item (e) Insulator (Cover): Thermoplastic (UL94V-0)

**Electrical**

- Voltage rating: 300VAC
- Current rating: 8A
- Solid wire(AWG): 16 ~ 26
- Stranded wire(AWG): 16 ~ 26
- Wire strip length: 7.8mm
- Withstanding Voltage: 1.6KV
- Size of the PCB: 1.6±0.2mm
- Operating temperature: -40°C to +115°C

ND xx 10 x 0 xxxx G

02	2 CONTACTS	0	Black	0000:"@Logo (Standard)	Pb < 40,000ppm
03	3 CONTACTS	5	Green	000A:"ANYTEK"Logo	(RoHS)
...	...	6	Blue	Any special item by customer request, please contact sales department.	
24	24 CONTACTS	8	Grey		

Poles	2	3	4	5	6	7	8	9	10	11	12	13
Dim A	7.0	10.5	14.0	17.5	21.0	24.5	28.0	31.5	35.0	38.5	42.5	45.5
Dim B	8.4	11.9	15.4	18.9	22.4	25.9	29.4	32.9	36.4	39.9	43.4	46.9
TOL	±0.15						±0.20					
Poles	14	15	16	17	18	19	20	21	22	23	24	
Dim A	49.0	52.5	56.0	59.5	63.0	66.5	70.0	73.5	77.0	80.5	84.0	
Dim B	50.4	53.9	57.4	60.9	64.4	67.9	71.4	74.9	78.4	81.9	85.4	
TOL	±0.30				0.35							

**ANYTEK**

**CUSTOMER COPY**

ALL RIGHTS RESERVED. REPRODUCTION OR ISSUE TO THIRD PARTIES IN ANY FORM WHATSOEVER IS NOT PERMITTED WITHOUT WRITTEN AUTHORITY FROM THE PROPRIETOR. PROPERTY OF ANYTEK TECHNOLOGY CO., LTD

TITLE		ND3.5 Series											
PART NO.		NDxx10x0xxxxG						DWG NO.		8ND0001			
APPROVED		CHECKED		DESIGNED		DRAWN		CUST NO.		Tolerance			
				Jacke		Jacke				X. ±0.5			
				2009.07.16		2009.07.16				X.X ±0.3			
										X.XX ±0.1			
								SHEET: 01/01		X° ±1°			