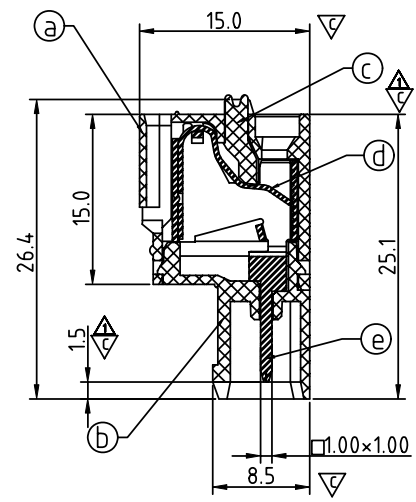
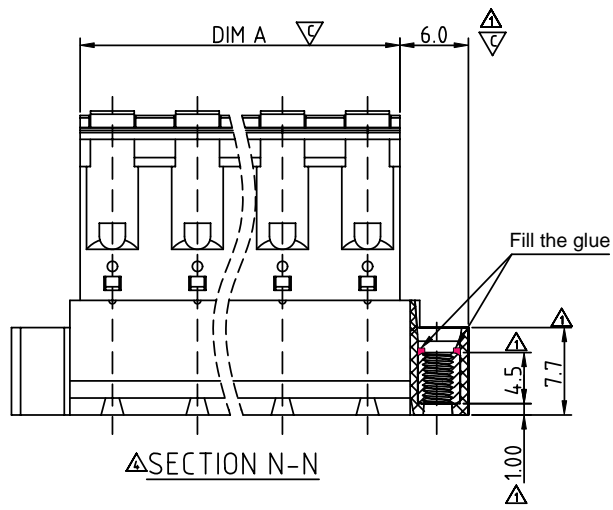
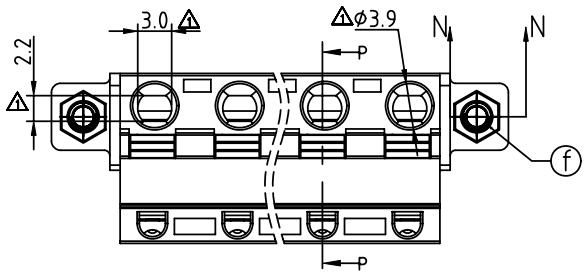
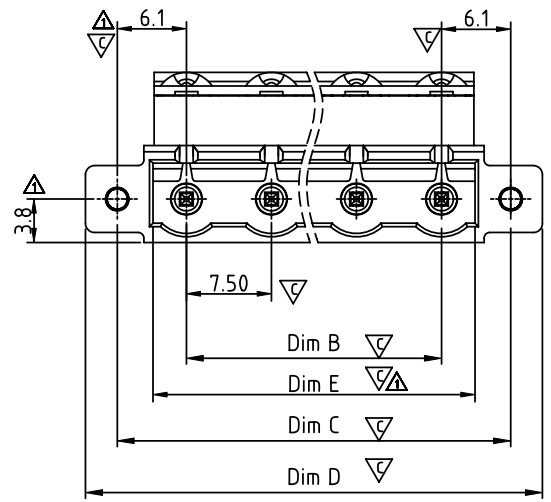


SIGN	DATE	DESCRIPTION	APPROVER
△	06/28'13	Add the dimensional label	Jacky
△	06/28'13	Add the terminal lever colour	Jacky
△	06/28'13	Add the colour code	Jacky
△	06/28'13	Add the view	Jacky
THIS IS CAD DRAWING, DO NOT REVISE MANUALLY!!!			



SECTION P-P



Dimension

DIM A	$(N-1) \times 7.50 + 5.7$
DIM B	$(N-1) \times 7.5$
△ DIM C	$(N-1) \times 7.5 + 12.2$
△ DIM D	$N \times 7.5 + 10.3$
△ DIM E	$(N-1) \times 7.5 + 5.9$

N=Number of poles

POLES	TOL
2p-6p	±0.20
7p-12p	±0.30
13p-16p	±0.40

Material

- Item a Terminal body:Thermoplastic ( UL94V-0 )
- Item b Terminal body:Thermoplastic ( UL94V-0 )
- Item c Terminal lever:Thermoplastic ( UL94V-0 )Orange△
- Item d Wire guard:Stainless Steel
- Item e Male contact pin:PhBz ( CuSn ) Tin plated
- Item f With flange Nut :Brass M2.5

Electrical

- Voltage rating: 300V
- Current rating: 10A
- Solid wire(AWG): 12-26
- Stranded wire(AWG): 12-26
- Wire strip length: 9-10mm
- Withstanding Voltage: 1.6KV
- Operating temperature: -40°C to +115°C
- Safety Approval: cULus
- Critical dimension: ▽

**H5 xx A0 x 2 xxxx G**

02 2 CONTACTS	0000 Standard @ Logo 000A Standard ANY Logo Any special item by customer request, please contact sales department.	RoHS compliant (lead<4%) In copper Alloy
03 3 CONTACTS		
... ..		
16 16 CONTACTS		

0: BLACK  
5: GREEN (RAL 6018/T)  
6: BLUE  
8: GREY (RAL 7035/D)  
△C: GREEN (RAL 6018/U)

<b>ANYTEK</b>		<b>CUSTOMER COPY</b>			
TITLE		H5 7.5 Series ( 2P-16P ) Flange with NUT			
PART NO.		H5xxA0x2xxxxG		DWG NO. 8H50503	
APPROVED		CHECKED	DESIGNED	DRAWN	CUST NO.
		Jacky 2013.06.28	Jacky 2013.06.28		
		SHEET: 01/01		UNIT: mm	Tolerance
				SCALE: NONE	X. ±0.50
				REV.: C	X.X ±0.30
					X.XX ±0.10
					X* ±1*