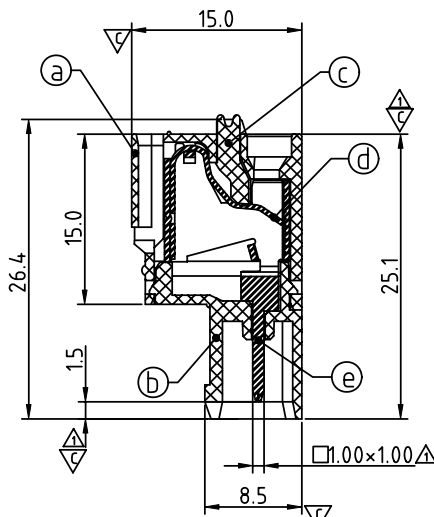
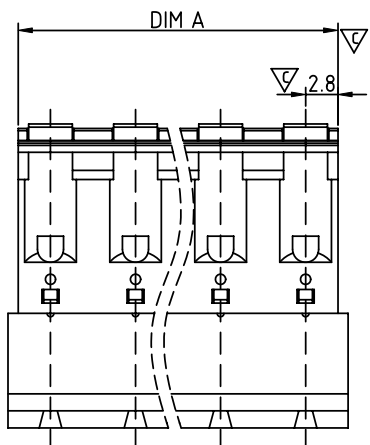


Dimension

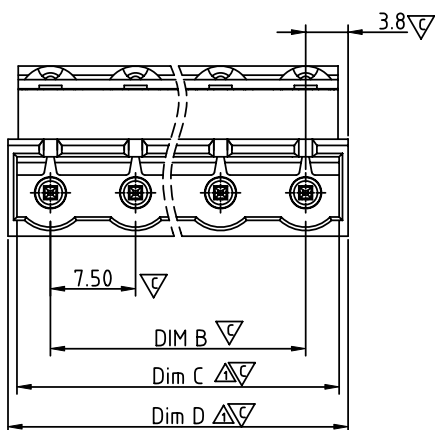
DIM A	$(N-1) \times 7.50 + 5.7$
DIM B	$(N-1) \times 7.5$
DIM C	$(N-1) \times 7.5 + 5.9$
DIM D	$N \times 7.5$

N=Number of poles

POLES	TOL
2p-6p	±0.20
7p-12p	±0.30
13p-16p	±0.40



SECTION P-P



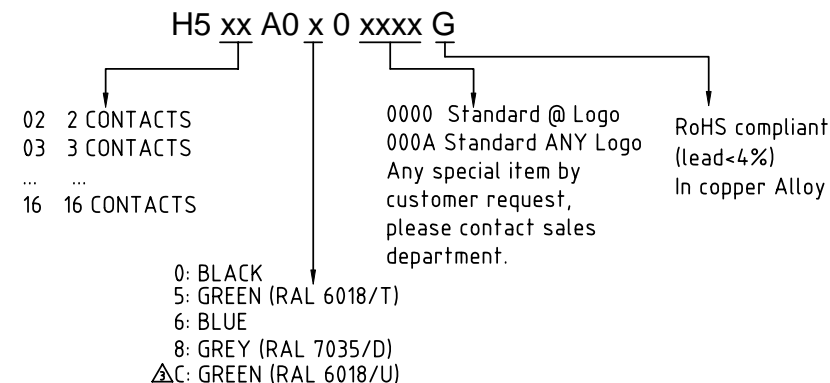
SIGN	DATE	DESCRIPTION	APPROVER
△	06/22'13	Add the dimensional label	Jacky
△	06/22'13	Add the terminal lever colour	Jacky
△	06/22'13	Add the colour code	Jacky
THIS IS CAD DRAWING, DO NOT REVISE MANUALLY!!!			

Material

- Item a Terminal up body: Thermoplastic (UL94V-0)
- Item b Terminal down body: Thermoplastic (UL94V-0)
- Item c Terminal lever: Thermoplastic (UL94V-0) Orange
- Item d Wire guard: Stainless Steel
- Item e Male contact pin: PhBz (CuSn) Tin plated

Electrical

- Voltage rating: 300V
- Current rating: 10A
- Solid wire (AWG): 12-26
- Stranded wire (AWG): 12-26
- Wire strip length: 9-10mm
- Withstanding Voltage: 1.6KV
- Operating temperature: -40°C to +115°C
- Safety Approval:
- Critical dimension:



ANYTEK

CUSTOMER COPY

ALL RIGHTS RESERVED. REPRODUCTION OR ISSUE TO THIRD PARTIES IN ANY FORM WHATSOEVER IS NOT PERMITTED WITHOUT WRITTEN AUTHORITY FROM THE PROPRIETOR. PROPERTY OF ANYTEK TECHNOLOGY CO., LTD

TITLE		H5 7.5 Series (2P-16P) W/O Flange			
PART NO.		H5xxA0x0xxxxG		DWG NO. 8H50501	
APPROVED	CHECKED	DESIGNED	DRAWN	CUST NO.	
		Jacky 2013.06.22	Jacky 2013.06.22		
				Tolerance	
				X. ±0.50	
				X.X ±0.30	
				X.XX ±0.10	
				X* ±1*	
				UNIT: mm	
				SCALE: NONE	
				SHEET: 01/01	
				REV.: C	