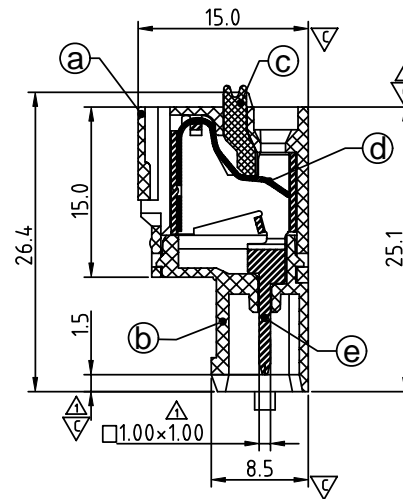
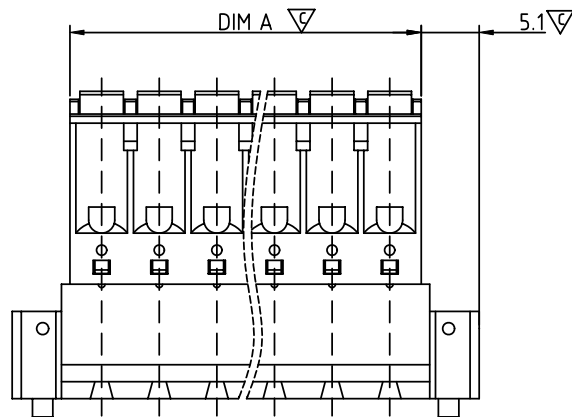


Dimension

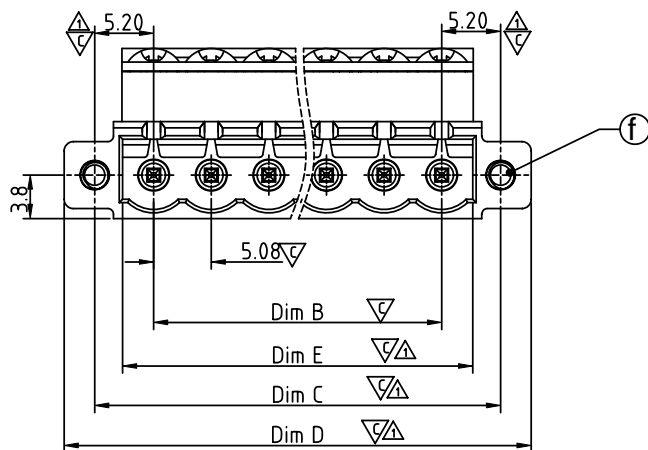
DIM A	$N \times 5.08 + 0.5$
DIM B	$(N-1) \times 5.08$
△ DIM C	$(N-1) \times 5.08 + 10.4$
△ DIM D	$N \times 5.08 + 10.7$
△ DIM E	$N \times 5.08 + 0.4$

N=Number of poles

POLES	TOL
2p-6p	± 0.15
7p-12p	± 0.20
13p-16p	± 0.30
17p-24p	± 0.40



SECTION P-P



SIGN	DATE	DESCRIPTION	APPROVER
△	06/22'13	Add the dimensional label	Jacky
△	06/22'13	Add the terminal lever colour	Jacky
△	06/22'13	Add the colour code	Jacky
△	06/22'13	Change the drawing number	Jacky

THIS IS CAD DRAWING, DO NOT REVISE MANUALLY!!!

Material

- Item a Terminal body: Thermoplastic (UL94V-0)
- Item b Terminal lever: Thermoplastic (UL94V-0)
- Item c Terminal lever: Thermoplastic (UL94V-0) Orange △
- Item d Wire guard: Stainless Steel
- Item e Male contact pin: PhBz (CuSn) Tin plated
- Item f With flange screw: Steel Zinc plating M2.5 solt "+/-" type

Electrical

- Voltage rating: 300V
- Current rating: 10A
- Solid wire(AWG): 12-26
- Stranded wire(AWG): 12-26
- Wire strip length: 9-10mm
- Withstanding Voltage: 1.6KV
- Operating temperature: -40°C to +115°C
- Safety Approval: us
- Critical dimension:

H5 xx 50 x 1 xxxx G

- 02 2 CONTACTS
- 03 3 CONTACTS
-
- 24 24 CONTACTS

0000 Standard @ Logo
 000A Standard ANY Logo
 Any special item by customer request, please contact sales department.
 RoHS compliant (lead<4%)
 In copper Alloy

- 0: BLACK
- 5: GREEN (RAL 6018/T)
- 6: BLUE
- 8: GREY (RAL 7035/D)
- △C: GREEN (RAL 6018/U)

ANYTEK

CUSTOMER COPY

ALL RIGHTS RESERVED. REPRODUCTION OR ISSUE TO THIRD PARTIES IN ANY FORM WHATSOEVER IS NOT PERMITTED WITHOUT WRITTEN AUTHORITY FROM THE PROPRIETOR. PROPERTY OF ANYTEK TECHNOLOGY CO., LTD

TITLE		H5 5.08 Series (2P-24P) (With flange screw)				
PART NO.		H5xx50x1xxxxG		DWG NO.		8H504.02 △
APPROVED	CHECKED	DESIGNED	DRAWN	CUST NO.		Tolerance
		Jacky	Jacky			X. ±0.50
		2013.06.22	2013.06.22			X.X ±0.30
				UNIT: mm		X.XX ±0.10
				SCALE: NONE		X* ±1*
				SHEET: 01/01		REV.: C