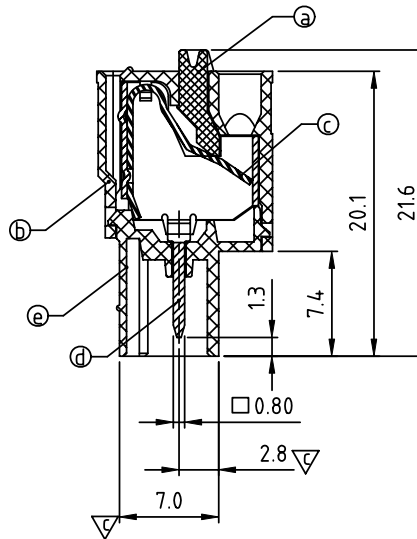
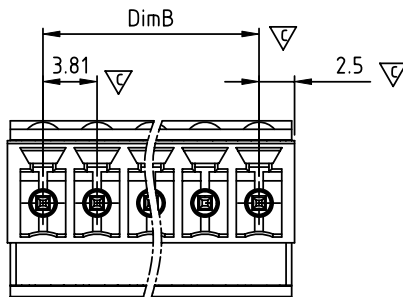
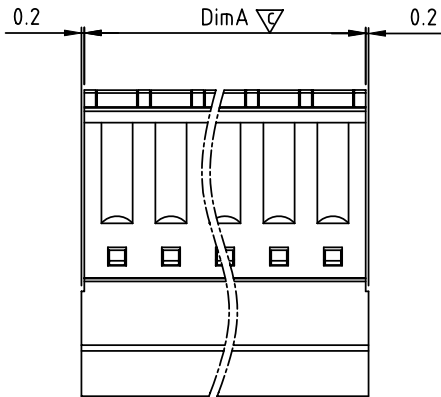
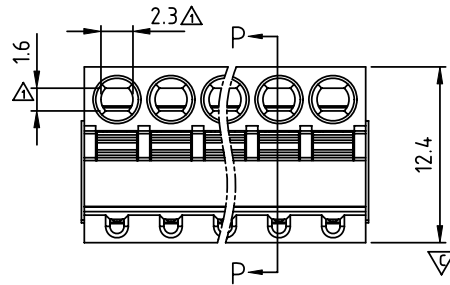


SIGN	DATE	DESCRIPTION	APPROVER
△	06/13'13	Update the drawing	Jacky
THIS IS CAD DRAWING, DO NOT REVISE MANUALLY!!!			



SECTION P-P

- Material:
- Item ㉑ Terminal(lever): Thermoplastic (UL94V-0)Orange△
 - Item ㉒ Terminal(up body): Thermoplastic (UL94V-0)
 - Item ㉓ Wire guard: Stainless steel
 - Item ㉔ Male contact pin: Phbz Tin plated
 - Item ㉕ Terminal(down body): Thermoplastic (UL94V-0)

- Electrical: cULus
- Voltage rating: 300 V
 - Current rating: 4 A
 - Wire range:
 - Solid wire(AWG): 16-28
 - Stranded wire(AWG): 16-28
 - Wire strip length: 9-10 mm
 - Withstanding Voltage: 1.6 KV
 - Operating temperature: -40°C to +115°C
 - Safety Approval: us
 - Critical dimension: ▽

H5 xx 3 0 x 0 xxxx G

No. OF POLES
02: 2 POLES
:
24: 24 POLES

RoHS compliant
(lead<4%)
In copper Alloy

COLOR
0: BLACK
5: GREEN (RAL 6018/T)
6: BLUE
8: GREY (RAL 7035/D)
△C: GREEN (RAL 6018/U)

0000: "@" Logo (Standard)
000A: "ANYTEK" Mark
Any special item by customer request.
please contact sales department.

△ N = Number of poles

DIM		TOL			
		2P-6P	7P-12P	13P-18P	19P-24P
DimA	N×3.81±0.8	±0.10	±0.15	±0.20	±0.30
DimB	(N-1)×3.81	±0.10	±0.15	±0.20	±0.30

ANYTEK

CUSTOMER COPY

ALL RIGHTS RESERVED. REPRODUCTION OR ISSUE TO THIRD PARTIES IN ANY FORM WHATSOEVER IS NOT PERMITTED WITHOUT WRITTEN AUTHORITY FROM THE PROPRIETOR. PROPERTY OF ANYTEK TECHNOLOGY CO., LTD

TITLE		H5 3.81mm Without Flange Series			
PART NO.	H5xx30x0xxxxG		DWG NO.	8H50201 △	
APPROVED	CHECKED	DESIGNED	DRAWN	CUST NO.	
		Jacky 2013.06.13	Jacky 2013.06.13		
				UNIT: mm	X. ±0.50
				SCALE: NONE	X.X ±0.30
				SHEET: 01/01	X.XX ±0.10
				REV.: C	X° ±1°