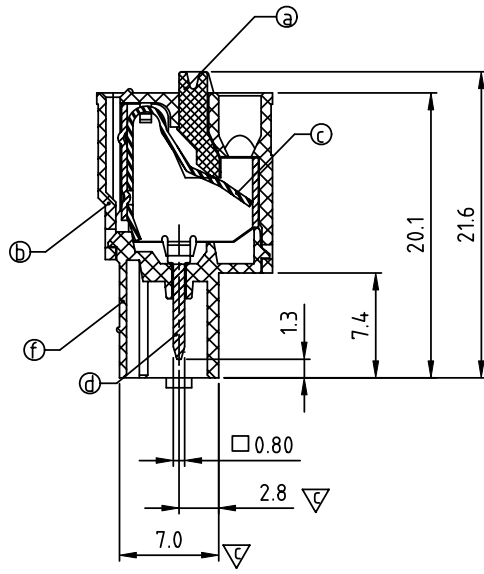
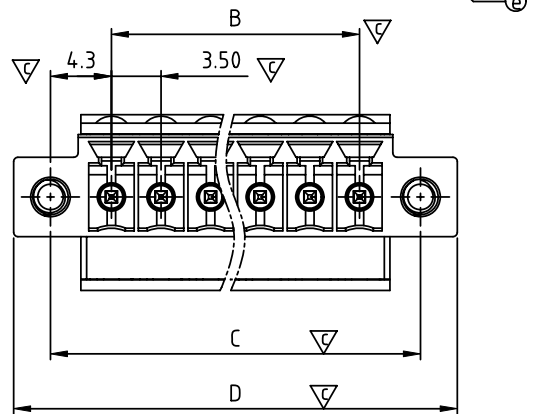
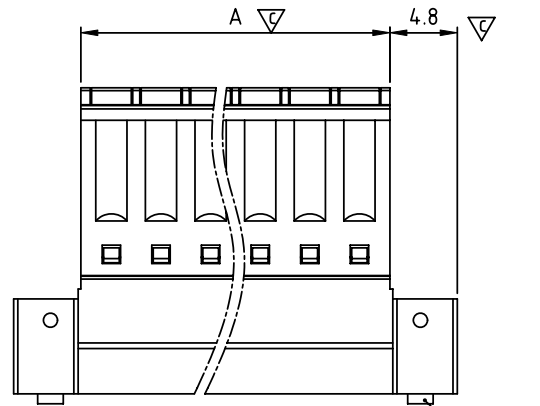
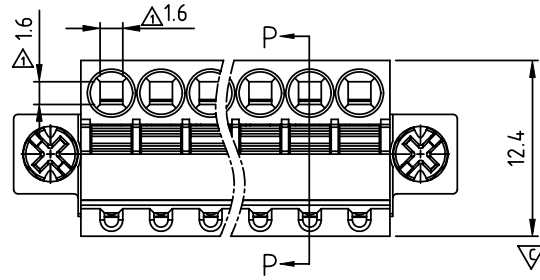


SIGN	DATE	DESCRIPTION	APPROVER
△	06/13'13	Update the drawing	Jacky

THIS IS CAD DRAWING, DO NOT REVISE MANUALLY!!!



SECTION P-P

- Material:
- Item ① Terminal (lever): Thermoplastic (UL94V-0) Orange △
 - Item ② Terminal (up body): Thermoplastic (UL94V-0)
 - Item ③ Wire guard: Stainless steel
 - Item ④ Male contact pin: Phbz Tin plated
 - Item ⑤ With flange screw: solt "+/-" type zinc plated M2.5
 - Item ⑥ Terminal (down body): Thermoplastic (UL94V-0)

- Electrical: cULus
- Voltage rating: 300 V
 - Current rating: 4 A
 - Wire range:
 - Solid wire (AWG): 16-28
 - Stranded wire (AWG): 16-28
 - Wire strip length: 9-10mm
 - Withstanding Voltage: 1.6 KV
 - Operating temperature: -40°C to +115°C
 - Safety Approval: cULus
 - Critical dimension: ∇

H5 xx 10 x 1 xxxx G

No. OF POLES ————

02: 2 POLES

⋮

24: 24 POLES

COLOR ————

0: BLACK

5: GREEN (RAL 6018/T)

6: BLUE

8: GREY (RAL 7035/D)

△C: GREEN (RAL 6018/U)

RoHS compliant (lead<4%)
In copper Alloy

0000: "@ Logo (Standard)"
000A: "ANYTEK" Mark

Any special item by customer request, please contact sales department.

△ N = Number of poles

DIM		TOL			
		2P-6P	7P-12P	13P-18P	19P-24P
DimA	(N-1)×3.5+4.3	±0.10	±0.15	±0.20	±0.30
DimB	(N-1)×3.5	±0.10	±0.15	±0.20	±0.30
DimC	(N-1)×3.5+8.6	±0.15	±0.20	±0.30	±0.40
DimD	(N-1)×3.5+13.8	±0.15	±0.20	±0.30	±0.40

ANYTEK

CUSTOMER COPY

ALL RIGHTS RESERVED. REPRODUCTION OR ISSUE TO THIRD PARTIES IN ANY FORM WHATSOEVER IS NOT PERMITTED WITHOUT WRITTEN AUTHORITY FROM THE PROPRIETOR. PROPERTY OF ANYTEK TECHNOLOGY CO., LTD

TITLE		H5 3.5mm Flange with screw Series			
PART NO.	H5xx10x1xxxxG	DWG NO.	8H50102△		
APPROVED	CHECKED	DESIGNED	DRAWN	CUST NO.	Tolerance
		Jacky	Jacky		X. ±0.50
		2013.06.13	2013.06.13		X.X ±0.30
					X.XX ±0.10
					X° ±1°
SHEET: 01/01				UNIT: mm	
				SCALE: NONE	
				REV.: C	