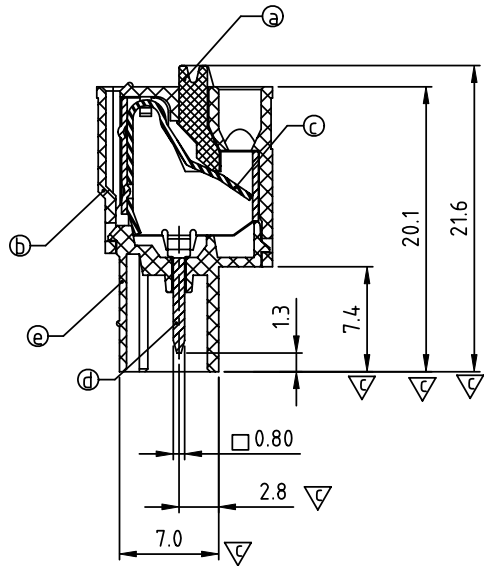
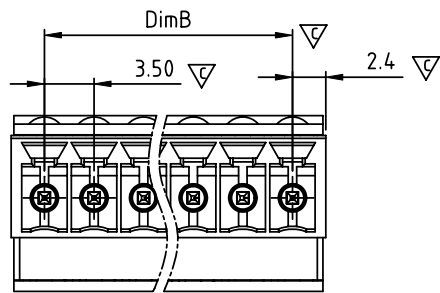
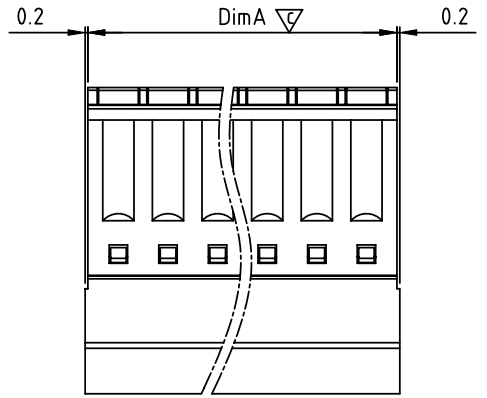
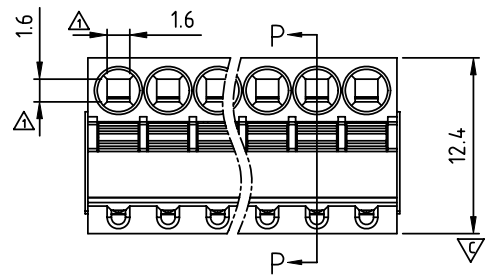


SIGN	DATE	DESCRIPTION	APPROVER
△	06/13'13	Update the drawing	Jacky
THIS IS CAD DRAWING, DO NOT REVISE MANUALLY!!!			



SECTION P-P

- Material:
- Item (a) Terminal (lever): Thermoplastic (UL94V-0) Orange△
  - Item (b) Terminal (up body): Thermoplastic (UL94V-0)
  - Item (c) Wire guard: Stainless steel
  - Item (d) Male contact pin: Phbz.Tin plated
  - Item (e) Terminal (down body): Thermoplastic (UL94V-0)

- Electrical: cULus
- Voltage rating: 300 V
  - Current rating: 4 A
  - Wire range:
  - Solid wire (AWG): 16-28
  - Stranded wire (AWG): 16-28
  - Wire strip length: 9-10 mm
  - Withstanding Voltage: 1.6 KV
  - Operating temperature: -40°C to +115°C
  - Safety Approval: cULus
  - Critical dimension: ∇

**H5 xx 1 0 x 0 xxxx G**

No. OF POLES ————

02: 2 POLES

⋮

24: 24 POLES

COLOR ————

0: BLACK

5: GREEN (RAL 6018/T)

6: BLUE

8: GREY (RAL 7035/D)

△C: Green (RAL 6018/U)

RoHS compliant (lead<4%)  
In copper Alloy

0000: "@" Logo (Standard)

000A: "ANYTEK" Mark

Any special item by customer request. please contact sales department.

△ N = Number of poles

DIM		TOL			
		2P-6P	7P-12P	13P-18P	19P-24P
DimA	(N-1)×3.5+4.3	±0.10	±0.15	±0.20	±0.30
DimB	(N-1)×3.5	±0.10	±0.15	±0.20	±0.30

<b>ANYTEK</b>				<b>CUSTOMER COPY</b>			
ALL RIGHTS RESERVED. REPRODUCTION OR ISSUE TO THIRD PARTIES IN ANY FORM WHATSOEVER IS NOT PERMITTED WITHOUT WRITTEN AUTHORITY FROM THE PROPRIETOR. PROPERTY OF ANYTEK TECHNOLOGY CO., LTD							
TITLE		H5 3.5mm W/O Flange Series					
PART NO.		H5xx10x0xxxxG		DWG NO.		8H50101△	
APPROVED		CHECKED	DESIGNED	DRAWN	CUST NO.		Tolerance
			Jacky 2013.06.13	Jacky 2013.06.13			X. ±0.50
							X.X ±0.30
							X.XX ±0.10
							X° ±1°
					SHEET: 01/01		REV.: C