

1

2

3

4

5

6

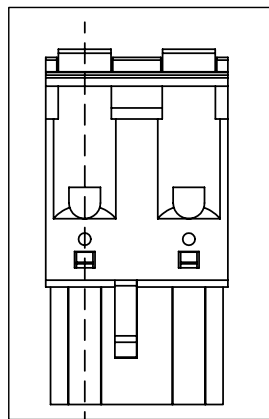
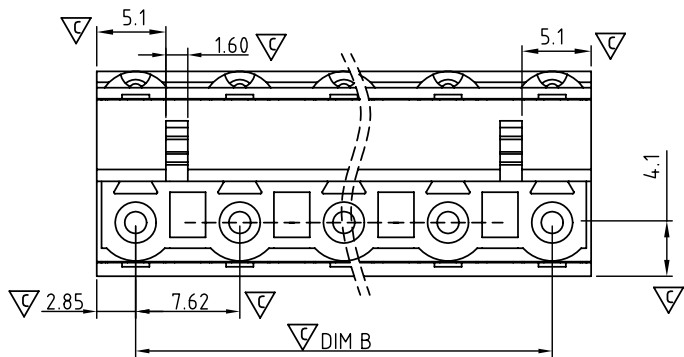
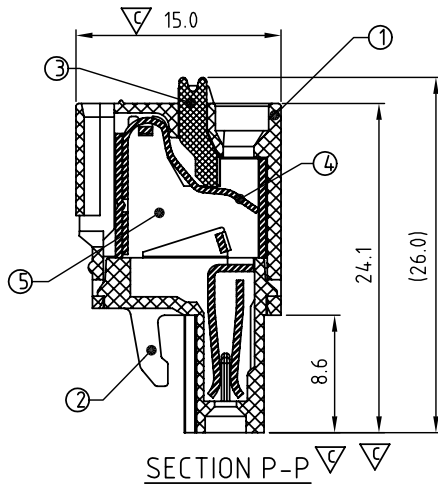
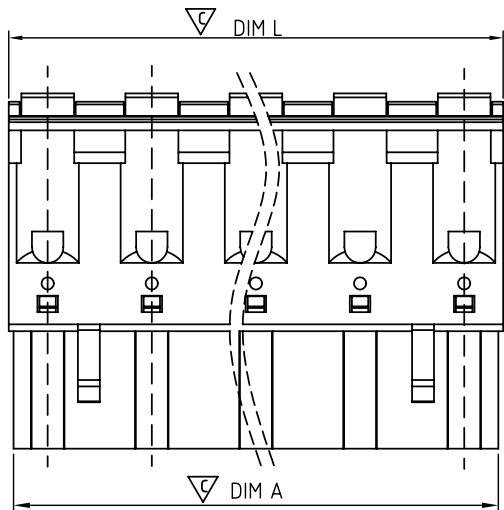
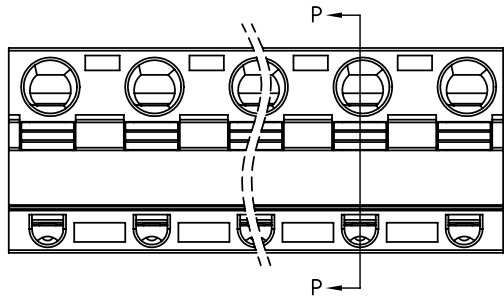
7

△ Dimension

DIM L	$(N-1) \times 7.62 + 5.7$
DIM A	$(N-1) \times 7.62 + 5.0$
DIM B	$(N-1) \times 7.62$

N=Number of poles

POLES	Tolerance
2p-6p	± 0.15
7p-12p	± 0.20
13p-16p	± 0.30



SIGN	DATE	DESCRIPTION	APPROVER
△	11/21'09	The normal grey No. changed from RAL7004/P to RAL7035/D	Kind
△	03/03'10	Add the glue on the top	Wellch
△	03/03'10	The wire strip length is changed from 7~8mm to 8~9mm	Wellch
△	04/06'10	Add the 2P mark	RUNNER
△	02/21'13	add the safety certification icon or update the drawing	Da cheng

THIS IS CAD DRAWING, DO NOT REVISE MANUALLY!!!

Material

- Item 1 Terminal body:Thermoplastic (UL94V-0)
- Item 2 Terminal body:Thermoplastic (UL94V-0)
- Item 3 Terminal lever:Thermoplastic (UL94V-0) Orange(RAL2011/P)
- Item 4 Wire guard:Stainless Steel
- Item 5 Female contact:PhBz (CuSn) Tin plated

△ Electrical

- Voltage rating: 300V
- Current rating: 10A
- Solid wire(AWG): 12-26
- Stranded wire(AWG): 12-26
- Wire strip length: 8-9mm
- Withstanding Voltage: 1.6KV
- Operating temperature: -40°C to +115°C
- Safety Approval:
- Critical dimension:

HW xx 00 x 0 xxxx G

No. OF POLES
02 2 POLES
03 3 POLES
... ..
16 16 POLES

△ Body Color
0 Black (RAL9005)
2 Red (RAL3001/D)
3 Orange(RAL2011/P)
4 Yellow(RAL1018/A)
5 Green(RAL6018/T)
6 Blue (RAL5015/A)
△ 8 Grey(RAL7035/D)
C Green(RAL6018/U)

0000 Standard @ Logo
000A Standard ANY Logo
Any special item by
customer request,
please contact sales
department.

△ RoHS compliant
(lead<4%)
In copper Alloy

ANYTEK

CUSTOMER COPY

ALL RIGHTS RESERVED. REPRODUCTION OR ISSUE TO THIRD PARTIES IN ANY FORM WHATSOEVER IS NOT PERMITTED WITHOUT WRITTEN AUTHORITY FROM THE PROPRIETOR. PROPERTY OF ANYTEK TECHNOLOGY CO., LTD

TITLE		HW 7.62 Series Contact on down side		DWG NO.		8HW0503	
PART NO.		HWxx00x0xxxxG		DWG NO.		8HW0503	
APPROVED	CHECKED	DESIGNED	DRAWN	CUST NO.	Tolerance		
		Da cheng 2013.02.21	Da cheng 2013.02.21		UNIT: mm	X.	± 0.50
					SCALE: NONE	X.X	± 0.30
				SHEET: 01/01	REV.: F	X.XX	± 0.10
						X°	$\pm 1^\circ$