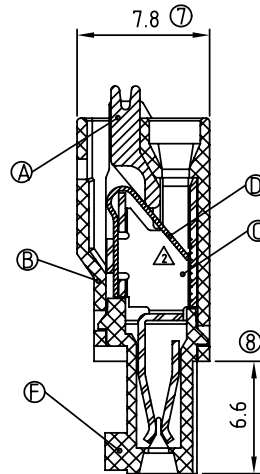
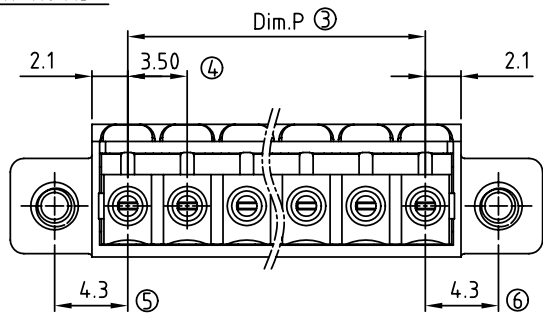


2P~6P Ribs on both sides
7P~24P No rib



SIGN	DATE	DESCRIPTION	APPROVER
△	6/30'09	Withstanding Voltage changed from 1.6KV to 1.32KV.	Kind
△	9/26'09	The spring clamp changed.	Kind
△	11/25'09	The Grey code changed from RAL7004/P to RAL 7035/D .	Kind
△	07/30'10	2P~6P add rid	Runner

THIS IS CAD DRAWING, DO NOT REVISE MANUALLY!!!

Material:

- Item ① Terminal lever: Thermoplastic (UL94V-0)
- Item ② Terminal top housing: Thermoplastic (UL94V-0)
- Item ③ Female contact : PhBz Tin Plated.
- Item ④ Spring clamp : Stainless steel
- Item ⑤ With flange screw: M2.5 Steel, Zinc plated.
- Item ⑥ Terminal down housing: Thermoplastic (UL94V-0)

Electrical: cULus

- Voltage rating: 160 V
- Current rating: 5.5 A
- Wire range:
- Solid wire(AWG): 16-24
- Stranded wire(AWG): 16-24
- Wire strip length: 9-10 mm
- △ ● Withstanding Voltage: 1.32 KV
- Operating temperature: -40°C to +115°C
- APPROVAL: US

KD xx 1 0 x 1 xxxx G

No. OF POLES
02: 2 POLES
:
24: 24 POLES

COLOR
0: BLACK
5: GREEN (RAL 6018/T)
6: BLUE
△ 8: GREY (RAL 7004/P)

G: Pb<40000ppm
0000: "@" Logo (Standard)
000A: "ANYTEK" Mark
Any special item by customer request. please contact sales department.

POLE	2	3	4	5	6	7	8	9	10	11	12	
Dim.L	7.70	11.20	14.70	18.20	21.70	25.20	28.70	32.20	35.70	39.20	42.70	
Dim.P	3.50	7.00	10.50	14.00	17.50	21.00	24.50	28.00	31.50	35.00	38.50	
Tol.	±0.15						±0.25					
POLE	13	14	15	16	17	18	19	20	21	22	23	24
Dim.L	46.20	49.70	53.20	56.70	60.20	63.70	67.20	70.70	74.20	77.70	81.20	84.70
Dim.P	42.00	45.50	49.00	52.50	56.00	59.50	63.00	66.50	70.00	73.50	77.00	80.50
Tol.	±0.30						±0.40					

ANYTEK

CUSTOMER COPY

ALL RIGHTS RESERVED. REPRODUCTION OR ISSUE TO THIRD PARTIES IN ANY FORM WHATSOEVER IS NOT PERMITTED WITHOUT WRITTEN AUTHORITY FROM THE PROPRIETOR. PROPERTY OF ANYTEK TECHNOLOGY CO., LTD

TITLE		KD 3.5mm W/Flange Series											
PART NO.		KDxx10x1xxxxG					DWG NO.		8KD0002				
APPROVED		CHECKED	DESIGNED	DRAWN	CUST NO.		Tolerance						
												X.	±0.50
												X.X	±0.30
												X.XX	±0.10
												X°	±1°
			Runner 2010.07.30	Kind 2009.06.30					UNIT: mm				
							SHEET: 01/01		SCALE: NONE				
							REV.: F						