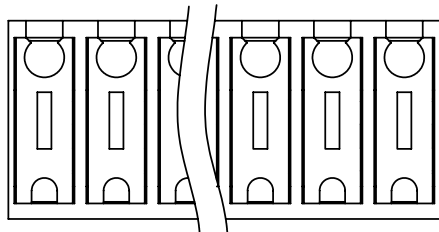
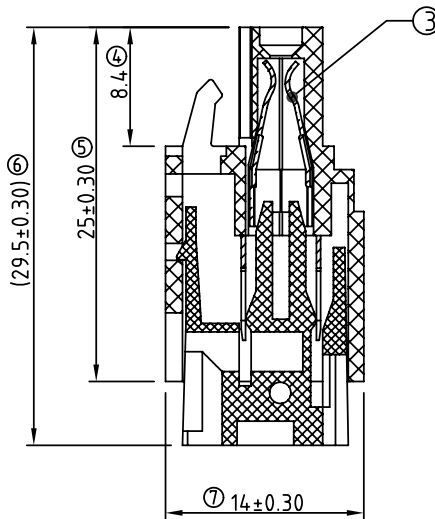
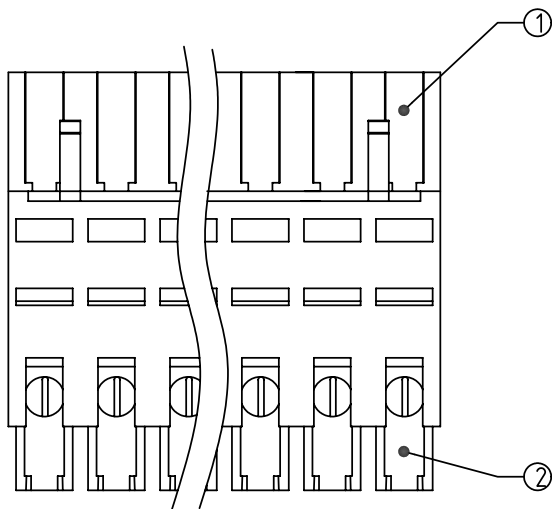


2P mark



N = Number of poles  
 Dim A=Nx5.08  
 Dim B=(N-1)x5.08

	Dim A	Dim B
2-6p	±0.15	±0.10
7-12p	±0.20	±0.20
13-18p	±0.30	±0.25
19-24p	±0.40	±0.30

SIGN	DATE	DESCRIPTION	APPROVER
△	02/08'07	Part No. is changed.	Aaron
△	04/08'09	Current rating, wire range and operating temperature are changed	Jacke
△	04/08'09	Add UL standard	Jacke
△	11/25'09	The Grey code changed from RAL7004/P to RAL7035/D	Kind
△	03/13'10	Add the 2P mark	RUNNER

THIS IS CAD DRAWING, DO NOT REVISE MANUALLY!!!

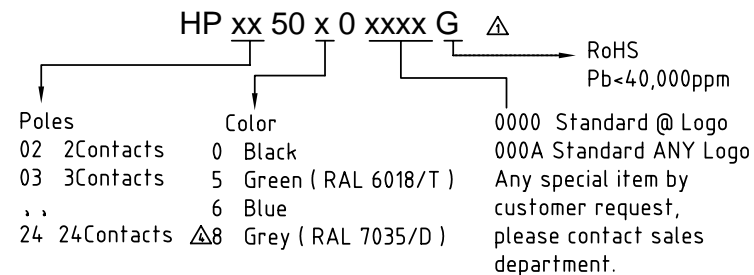
Material

- Item 1 Terminal body:Thermoplastic ( UL94V-0 )
- Item 2 Terminal lever:Thermoplastic ( UL94V-0 )
- Item 3 Female contact:PhBz ( CuSn ) Tin plated

Electrical cULus

- Voltage rating:300V
- △ Current rating:7A
- Wire range:
  - Solid wire(AWG):18-22
  - Stranded wire(AWG):18-22
- Wire strip length:
- Withstanding Voltage:1.6KV
- Operating temperature:-40°C to +115°C
- △ Safety Approval: cULus

PART NO.



**ANYTEK**

**CUSTOMER COPY**

ALL RIGHTS RESERVED. REPRODUCTION OR ISSUE TO THIRD PARTIES IN ANY FORM WHATSOEVER IS NOT PERMITTED WITHOUT WRITTEN AUTHORITY FROM THE PROPRIETOR. PROPERTY OF ANYTEK TECHNOLOGY CO., LTD

TITLE		HP 5.08mm Series Without flange		
PART NO.		HPxx50x0xxxxG		DWG NO. 8HP001
APPROVED	CHECKED	DESIGNED	DRAWN	CUST NO.
		Kind 2009.11.25	Jacke 2009.04.08	
				Tolerance
				X. ±0.50
				X.X ±0.30
				X.XX ±0.10
				X° ±1°
SHEET: 01/01				REV.: H