

SIGN	DATE	DESCRIPTION	APPROVER
△	02/08'07	Part No. is changed.	Aaron
△	07/14'11	Electrical is changed	Runner
<i>THIS IS CAD DRAWING, DO NOT REVISE MANUALLY!!!</i>			

Material

- Item 1 Terminal body: Thermoplastic (UL94V-0)
- Item 2 Terminal lever: Thermoplastic (UL94V-0)
- Item 3 Female contact: PhBz (CuSn) Tin plated
- Item 4 With flange screw: Steel M2.5 plated zinc

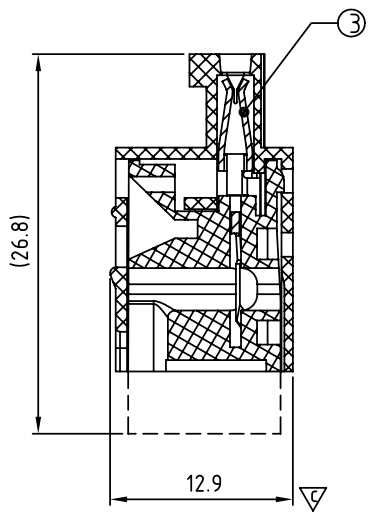
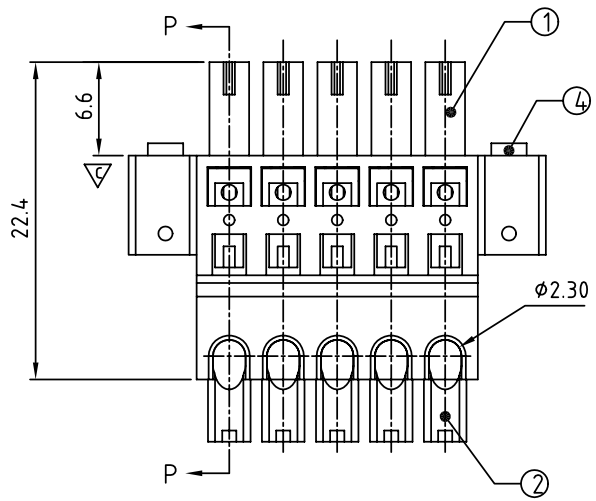
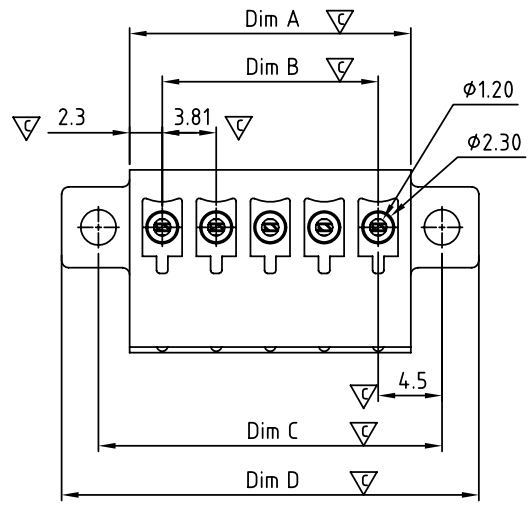
△ Electrical cULus

- Voltage rating: 300V
- Current rating: 5A
- Wire range:
- Solid wire (AWG): 20-22
- Stranded wire (AWG): 20-22
- Wire strip length:
- Withstanding Voltage: 1.6KV
- Operating temperature: -40°C to +115°C
- Safety Approval: cULus
- Critical dimension: ∇

PART NO.

HP xx 30 x 2 xxxx G △

		RoHS Pb<40,000ppm	
Poles 02 2Contacts 03 3Contacts .. 24 24Contacts	Color 0 Black 5 Green (RAL 6018/T) 6 Blue 8 Grey (RAL 7004/P)	0000 Standard @ Logo 000A Standard ANY Logo Any special item by customer request, please contact sales department.	



SECTION P-P

N = Number of poles
 Dim A = (N-1) x 3.81 + 4.6
 Dim B = (N-1) x 3.81
 Dim C = (N-1) x 3.81 + 9.0
 Dim D = (N-1) x 3.81 + 14.2

	Dim A	Dim B
2-6p	±0.15	±0.15
7-12p	±0.20	±0.20
13-18p	±0.25	±0.25
19-24p	±0.30	±0.30

ANYTEK

CUSTOMER COPY

ALL RIGHTS RESERVED. REPRODUCTION OR ISSUE TO THIRD PARTIES IN ANY FORM WHATSOEVER IS NOT PERMITTED WITHOUT WRITTEN AUTHORITY FROM THE PROPRIETOR. PROPERTY OF ANYTEK TECHNOLOGY CO., LTD

TITLE		HP 3.81 Series with flange			
PART NO.		HPxx30x2xxxxG		DWG NO.	8HP0202
APPROVED	CHECKED	DESIGNED	DRAWN	CUST NO.	
		Runner 2011.07.14	Aaron 2007.02.08		
				UNIT: mm	Tolerance
				SCALE: NONE	X. ±0.50
				SHEET: 01/01	X.X ±0.30
				REV.: E	X.XX ±0.10
					X° ±1°