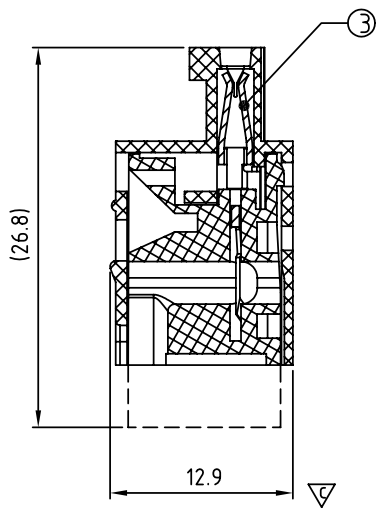
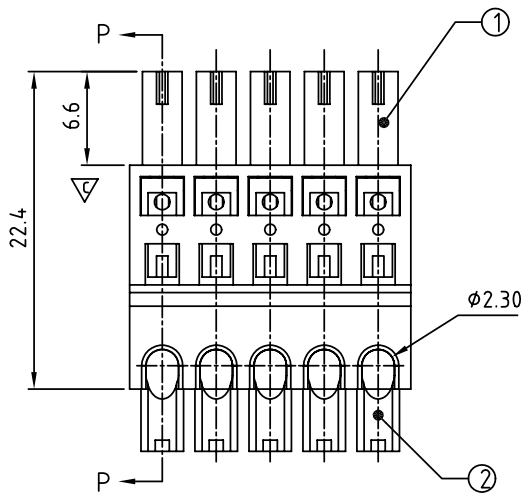
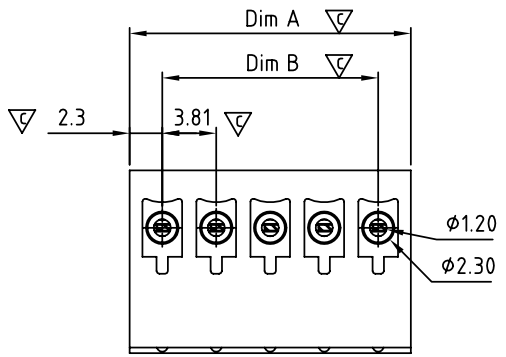


SIGN	DATE	DESCRIPTION	APPROVER
△	02/08'07	Part No. is changed.	Aaron
△	07/14'11	Electrical is changed	Runner
<i>THIS IS CAD DRAWING, DO NOT REVISE MANUALLY!!!</i>			



SECTION P-P

N = Number of poles  
 Dim A=(N-1)x3.81+4.6  
 Dim B=(N-1)x3.81

	Dim A	Dim B
2-6p	±0.15	±0.15
7-12p	±0.20	±0.20
13-18p	±0.25	±0.25
19-24p	±0.30	±0.30

Material

- Item 1 Insulating body Thermoplastic ( UL94V-0 )
- Item 2 Insulating lever Thermoplastic ( UL94V-0 )
- Item 3 Female contact: PhBz ( CuSn ) Tin plated

△ Electrical

- Voltage rating:300V
- Current rating:5A
- Wire range:
- Solid wire(AWG):20-22
- Stranded wire(AWG):20-22
- Wire strip length:
- Withstanding Voltage:1.6KV
- Operating temperature:-40°C to +115°C
- Safety Approval: us
- Critical dimension:

PART NO.

HP xx 30 x 0 xxxx G △

Poles	Color	RoHS
02 2Contacts	0 Black	Pb<40,000ppm
03 3Contacts	5 Green ( RAL 6018/T )	0000 Standard @ Logo
..	6 Blue	000A Standard ANY Logo
24 24Contacts	8 Grey ( RAL 7004/P )	Any special item by customer request, please contact sales department.

**ANYTEK**

**CUSTOMER COPY**

ALL RIGHTS RESERVED. REPRODUCTION OR ISSUE TO THIRD PARTIES IN ANY FORM WHATSOEVER IS NOT PERMITTED WITHOUT WRITTEN AUTHORITY FROM THE PROPRIETOR. PROPERTY OF ANYTEK TECHNOLOGY CO., LTD

TITLE		HP 3.81 Series without flange			
PART NO.		HPxx30x0xxxxG		DWG NO.	8HP0201
APPROVED	CHECKED	DESIGNED	DRAWN	CUST NO.	
		Runner	Aaron		
		2011.07.14	2007.02.08		
					Tolerance
					UNIT: mm
				SCALE: NONE	X. ±0.50
				SHEET: 01/01	REV.: E
					X.X ±0.30
					X.XX ±0.10
					X° ±1°