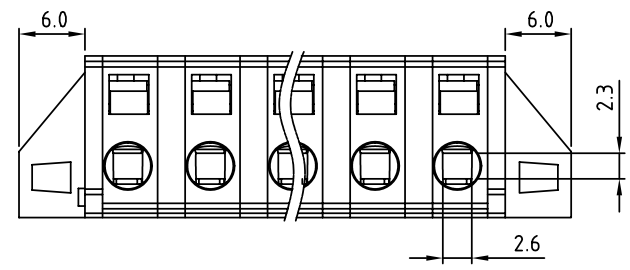
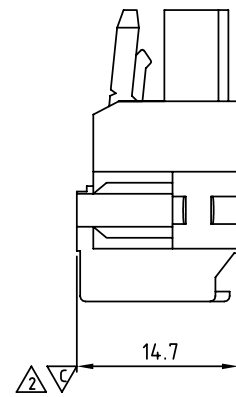
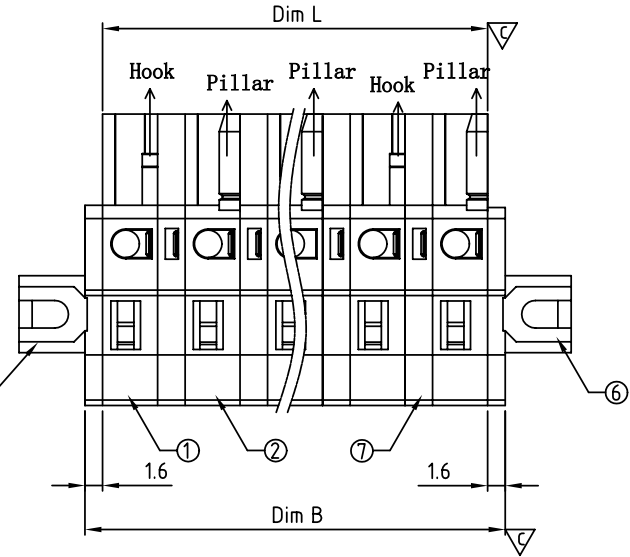
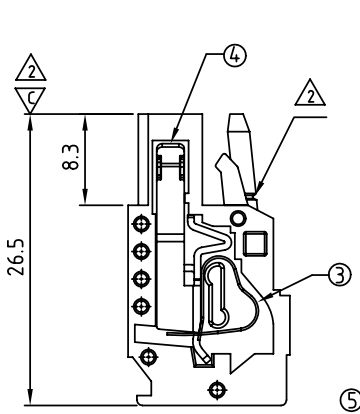
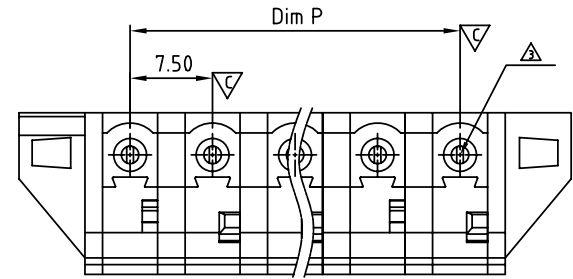


SIGN	DATE	DESCRIPTION	APPROVER
△	09/21'10	Current rating is changed	Runner
△	05/10'11	The dimensions is Changed from 26.3 & 14.5 to 26.5 & 14.7	Chen Bo
△	08/22'12	Update the drawing	Da cheng

THIS IS CAD DRAWING, DO NOT REVISE MANUALLY!!!



- Material:
- Item ① Terminal housing (With hook) :Thermoplastic (UL94V-0)
 - Item ② Terminal housing (With Pillar) :Thermoplastic (UL94V-0)
 - Item ③ Spring Clamp: Stainless steel
 - Item ④ Female contact: PhBz.Tin plated
 - Item ⑤ Terminal(Left flange): Thermoplastic (UL94V-0)
 - Item ⑥ Terminal(Right flange): Thermoplastic (UL94V-0)
 - Item ⑦ Pad borad: Thermoplastic (UL94V-0)

- Electrical: cULus
- Voltage rating: 300 V
 - Current rating: 8A
 - Wire range:
 - Solid wire(AWG): 12-28
 - Stranded wire(AWG): 12-28
 - Wire strip length: 8-9 mm
 - Withstanding Voltage: 1.6KV
 - Operating temperature: -40°C to +115°C
 - Critical dimension: ▽

HI xx 20 x 2 xxxx G

POLES
 02: 2pole
 " " " "
 16: 16pole

RoHS compliant (lead<4%) △
 In copper Alloy

COLOR
 0: BLACK
 5: GREEN
 6: BLUE
 8: GREY

0000: "@ " Logo (Standard)
 (Steel screw plating Cr)
 000A: "ANYTEK" Mark
 Any special item by customer request.
 please contact sales department.

Layout of Hook and Pillar :

2P	Hook+Pillar
3P	Hook+Hook+Pillar
4P	Hook+Pillar+Hook+Pillar
5P	Hook+Pillar+Pillar+Hook+Pillar
5P over	Hook+Pillar+ ^{Pillar} ...+Pillar+Hook+Pillar

DIM	TOL				
	2P-4P	5P-8P	9P-12P	13P-16P	
Dim L	N×7.5-2.5	±0.15	±0.25	±0.30	±0.40
Dim P	(N-1)×7.5	±0.15	±0.25	±0.30	±0.40
Dim B	N×7.5+0.7	±0.15	±0.25	±0.30	±0.40

ANYTEK				CUSTOMER COPY			
ALL RIGHTS RESERVED. REPRODUCTION OR ISSUE TO THIRD PARTIES IN ANY FORM WHATSOEVER IS NOT PERMITTED WITHOUT WRITTEN AUTHORITY FROM THE PROPRIETOR. PROPERTY OF ANYTEK TECHNOLOGY CO., LTD							
TITLE		HI 7.5mm With flange Series					
PART NO.		HIxx20x2xxxxG			DWG NO.		8HI0104
APPROVED		DESIGNED	DRAWN	CUST NO.		Tolerance	
		Dacheng 2012.08.22	Dacheng 2012.08.22			X	±0.50
				UNIT: mm		X.X	±0.30
				SCALE: NONE		X.XX	±0.10
				REV.: E		X°	±1°