

SIGN	DATE	DESCRIPTION	APPROVER
△	09/21'10	Current rating is changed	Runner
△	05/10'11	The dimensions is Changed from 26.3 &14.5 to 26.5 &14.7	Chen Bo
△	08/22'12	Update the drawing	Da cheng

THIS IS CAD DRAWING, DO NOT REVISE MANUALLY!!

Material:

- Item ① Terminal housing (With hook) :Thermoplastic (UL94V-0)
- Item ② Terminal housing (With Pillar) :Thermoplastic (UL94V-0)
- Item ③ Spring Clamp: Stainless steel
- Item ④ Female contact: PhBz.Tin plated
- Item ⑤ Terminal(Left Latch): Thermoplastic (UL94V-0)
- Item ⑥ Terminal(Right Latch): Thermoplastic (UL94V-0)
- Item ⑦ Pad borad: Thermoplastic (UL94V-0)

Electrical:

- Voltage rating: 300 V
- Current rating: 8 A
- Wire range:
- Solid wire(AWG): 12-28
- Stranded wire(AWG): 12-28
- Wire strip length: 8-9 mm
- Withstanding Voltage: 1.6KV
- Operating temperature: -40°C to +115°C
- Critical dimension: ∇

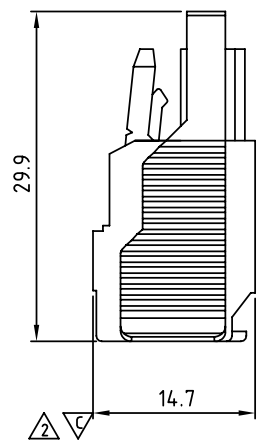
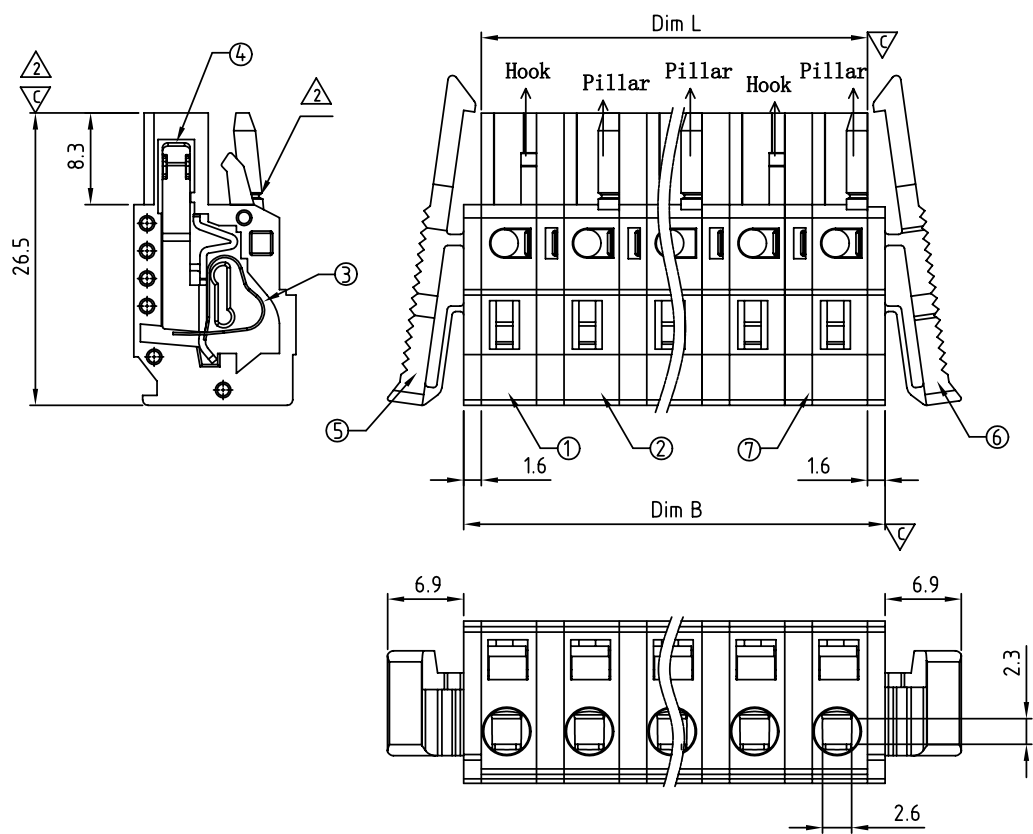
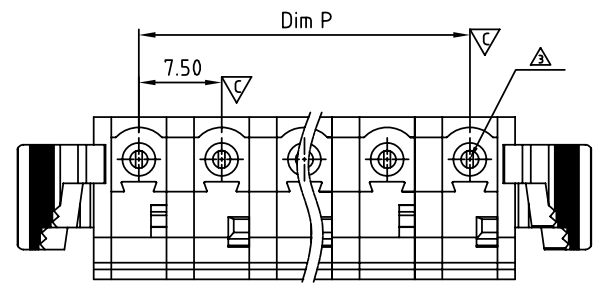
HI xx 2 0 x 3 xxxx G

POLES  
02: 2pole  
" " "  
16: 16pole

COLOR  
0: BLACK  
5: GREEN  
6: BLUE  
8: GREY

RoHS compliant  
(lead<4%) △  
In copper Alloy

0000: "@ " Logo (Standard)  
(Steel screw plating Cr )  
000A: "ANYTEK" Mark  
Any special item by  
customer request.  
please contact sales  
department.



Layout of Hook and Pillar :

2P	Hook+Pillar
3P	Hook+Hook+Pillar
4P	Hook+Pillar+Hook+Pillar
5P	Hook+Pillar+Pillar+Hook+Pillar
5P over	Hook+Pillar+Pillar+Hook+Pillar

DIM	TOL			
	2P-4P	5P-8P	9P-12P	13P-16P
Dim L	Nx7.5-2.5	±0.15	±0.25	±0.30 ±0.40
Dim P	(N-1)x7.5	±0.15	±0.25	±0.30 ±0.40
Dim B	Nx7.5+0.7	±0.15	±0.25	±0.30 ±0.40

ANYTEK				CUSTOMER COPY			
ALL RIGHTS RESERVED. REPRODUCTION OR ISSUE TO THIRD PARTIES IN ANY FORM WHATSOEVER IS NOT PERMITTED WITHOUT WRITTEN AUTHORITY FROM THE PROPRIETOR. PROPERTY OF ANYTEK TECHNOLOGY CO., LTD							
TITLE		HI 7.50mm With latch Series					
PART NO.		Hlxx20x3xxxxG		DWG NO.		8HI0105	
APPROVED		CHECKED		DESIGNED		DRAWN	
				Dacheng 2012.08.22		Dacheng 2012.08.22	
				CUST NO.		Tolerance	
				SHEET: 01/01		UNIT: mm	
				REV.: E		X. ±0.50	
						X.X ±0.30	
						X.XX ±0.10	
						X° ±1°	