

SIGN	DATE	DESCRIPTION	APPROVER
△	06/23'06	Voltage/Curren is changed from 250V/6A to 300V/10A	Marvin
△	06/23'06	Added cULus logo	Marvin
△	12/31'08	The temperature changed from -30°C,+105°C to -40°C,115°C	Jacke
△	12/31'08	Add the tolerance table	Jacke

THIS IS CAD DRAWING, DO NOT REVISE MANUALLY!!!

### Material

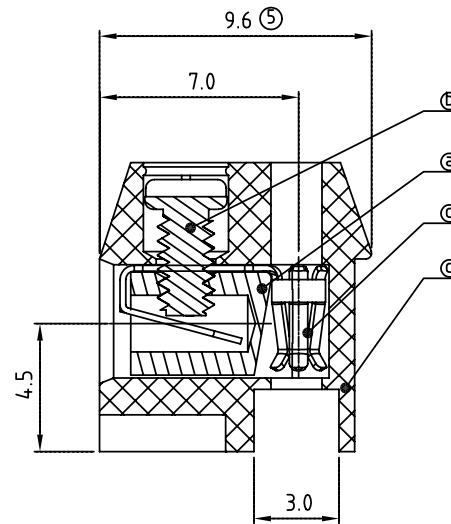
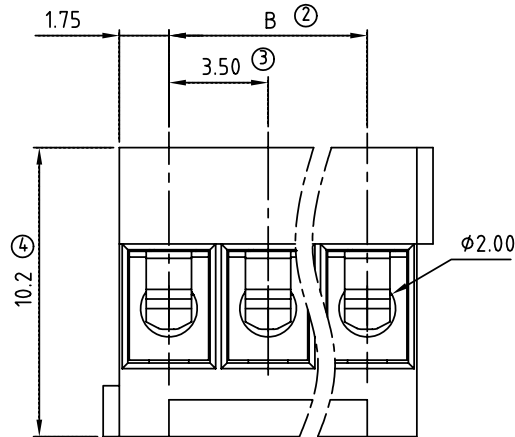
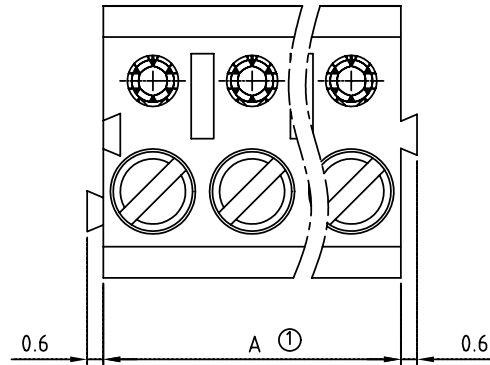
- Item a Clamp: Brass(CuZn) Ni plated
- Item b Terminal screw: Steel Zinc plating "-" slot type
- Item c Female contact :PhBz (CuSn)Tin plated
- Item d Terminal (housing): Thermoplastic (UL94V-0)

### Electrical cULus

- Voltage rating: 300V
- Current rating: 10A
- Wire range:
  - Solid wire(AWG): 16-28
  - Stranded wire(AWG): 16-28
- Torque: 1.7Lb-In
- Screw: M2
- Wire strip length: 5-6mm
- Withstanding Voltage: 1.6KV
- △ ● Operating temperature: -40°C to +115°C
- △ ● Safety approval: cULus

TH xx 21x 0 xxxx G

02	2 CONTACTS	0	Black (RAL9005)	Pb < 40,000ppm (RoHS)
03	3 CONTACTS	2	Red (RAL3001/D)	
...	...	3	Orange(RAL2011/P)	
24	24 CONTACTS	4	Yellow(RAL1018/A)	0000:"@"Logo (Standard )
		5	Green(RAL6018/T)	000A:"ANYTEK"Logo
		6	Blue (RAL5015/A)	Any special item by customer request,
		8	Grey(RAL7035/D)	please contact sales department.



△

N = Number of poles  
 Dim A=Nx3.5  
 Dim B=(N-1)x3.5

	Dim A	Dim B
2-6p	±0.20	±0.15
7-12p	±0.25	±0.20
13-24p	±0.30	±0.25

# ANYTEK

## CUSTOMER COPY

ALL RIGHTS RESERVED. REPRODUCTION OR ISSUE TO THIRD PARTIES IN ANY FORM WHATSOEVER IS NOT PERMITTED WITHOUT WRITTEN AUTHORITY FROM THE PROPRIETOR. PROPERTY OF ANYTEK TECHNOLOGY CO., LTD

TITLE		TH-3.5mm series "-" (Stackable Type)			
PART NO.	THxx21x0xxxxG			DWG NO.	8TH0201
APPROVED	CHECKED	DESIGNED	DRAWN	CUST NO.	
		Jacke 2008.12.31	Jacke 2008.12.31		
					Tolerance
					UNIT: mm
				SCALE: NONE	X.X ±0.30
				SHEET: 01/01	X.XX ±0.10
				REV.: F	X° ±1°