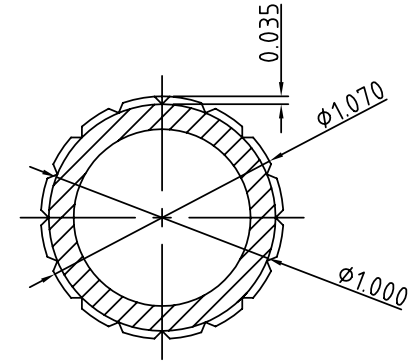
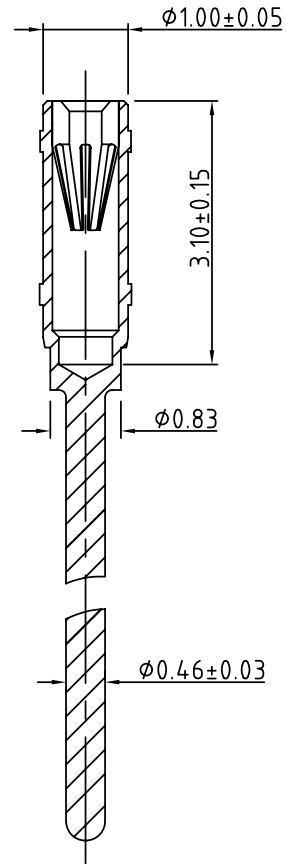
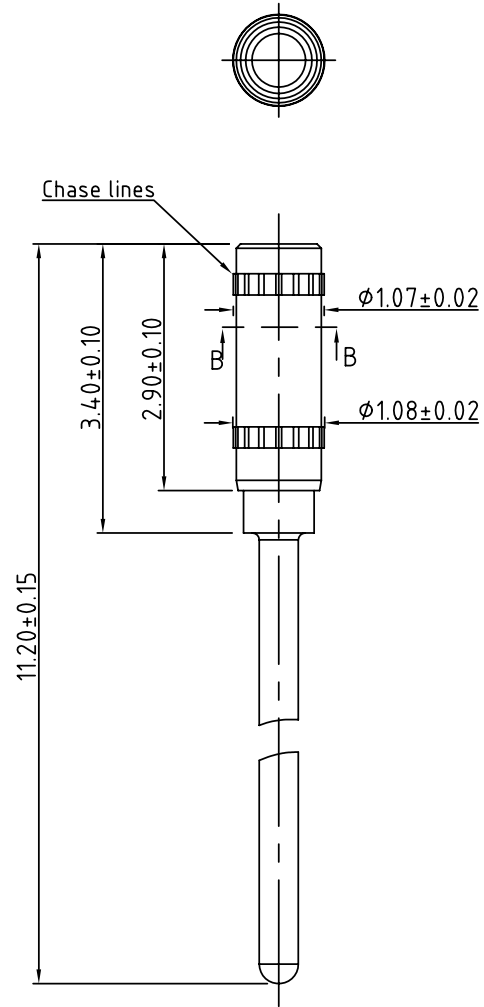


SIGN	DATE	DESCRIPTION	APPROVER
△			

THIS IS CAD DRAWING, DO NOT REVISE MANUALLY!!!



DETAIL B-B  
SCALE 40 : 1

Order information  
066000X10000G

Code	Clip plated	Pin plated
0	Gold flash	Tin 200u"
1	Gold 10u"	Tin 200u"
2	Gold 30u"	Tin 200u"
3	Tin 200u"	Tin 200u"
4	Gold flash	Gold flash
5	Gold 10u"	Gold flash
6	Gold 30u"	Gold flash

**Technical Data**

**Material:**

Sleeve: brass ,gold or tin-lead plated over 2-3um nickel  
 Clip: Stamped beryllium-copper,gold or tin-lead plated over 2-3um nickel.  
 Gauge diameter(mm): 0.38  
 Insertion force(N):0.6  
 Withdrawal force(N):0.15  
 Mechanical life: min. 200

**ANYTEK**

**CUSTOMER COPY**

ALL RIGHTS RESERVED. REPRODUCTION OR ISSUE TO THIRD PARTIES IN ANY FORM WHATSOEVER IS NOT PERMITTED WITHOUT WRITTEN AUTHORITY FROM THE PROPRIETOR. PROPERTY OF ANYTEK TECHNOLOGY CO., LTD

TITLE		06 11.20mmL Pin( Chase lines).				
PART NO.		066000X10000G		DWG NO.		8060003
APPROVED	CHECKED	DESIGNED	DRAWN	CUST NO.		Tolerance
		Seamus 2004.11.22	Aaron 2004.11.20			X. ±0.50
						X.X ±0.30
						X.XX ±0.10
				SHEET: 01/01		X° ±1°
				UNIT: mm		
				SCALE: NONE		
				REV.: B		