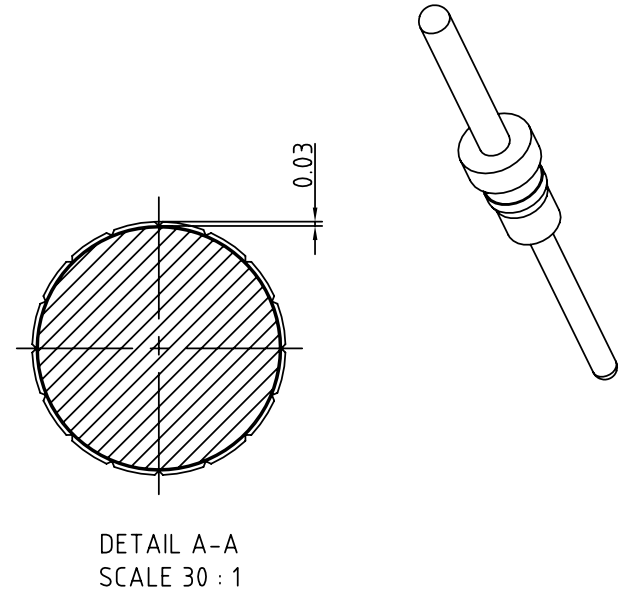
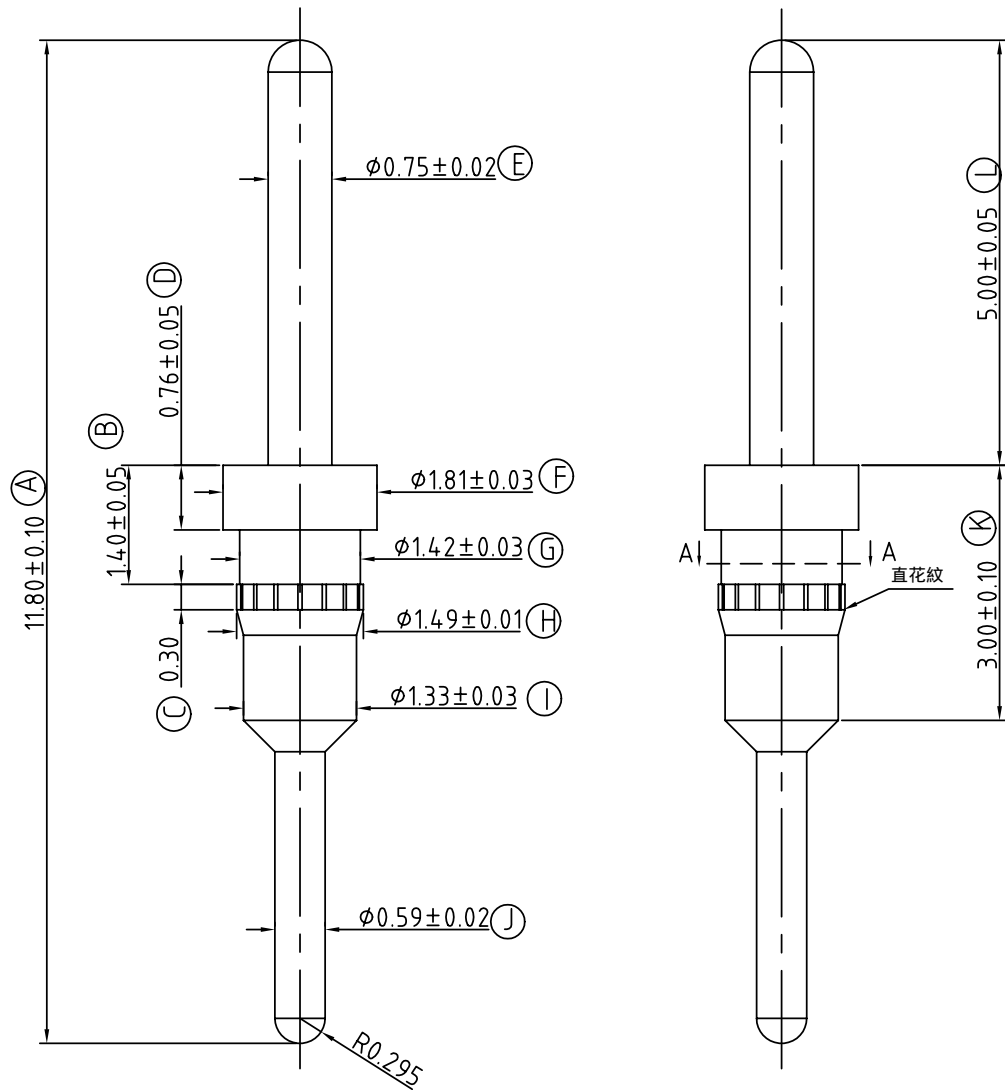


SIGN	DATE	DESCRIPTION	APPROVER
△			
THIS IS CAD DRAWING, DO NOT REVISE MANUALLY!!!			



Technical Data:

Material:

- Pin (outer sleeve) : Brass,machined, CuZn38Pb2.
- Plating(outer sleeve) : Cu 40 u"-80 u"+Ni 50 u"-80 u"+Sn 200 u"-240 u".
- Dimmension of exterior diameter added 0.0145-0.020mm after plating.
- Dimmension of internal diameter reduced 0.0145-0.020mm after plating.

ANYTEK				CUSTOMER COPY			
ALL RIGHTS RESERVED. REPRODUCTION OR ISSUE TO THIRD PARTIES IN ANY FORM WHATSOEVER IS NOT PERMITTED WITHOUT WRITTEN AUTHORITY FROM THE PROPRIETOR. PROPERTY OF ANYTEK TECHNOLOGY CO., LTD							
TITLE		OE sleeve spec L:11.80mm 壓直紋.					
PART NO.		OE0000x00000G		DWG NO.		80E0001	
APPROVED	CHECKED	DESIGNED	DRAWN	CUST NO.		Tolerance	
		Seamus 2004.11.22	Aaron 2004.11.20			UNIT: mm	X. ±0.50
						SCALE: NONE	X.X ±0.30
				SHEET: 01/01		REV.: B	X* ±1*