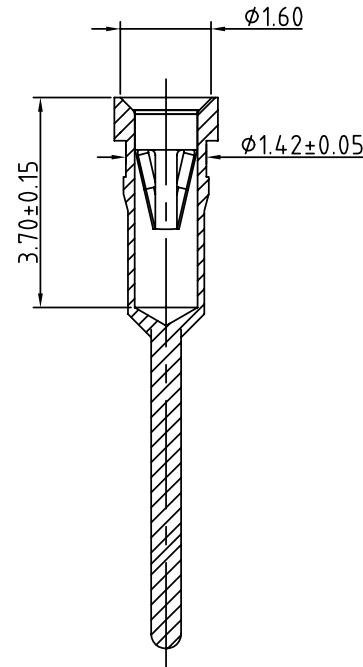
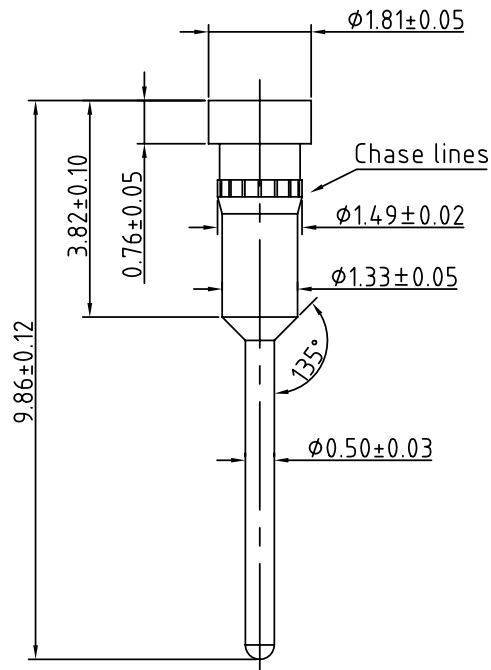
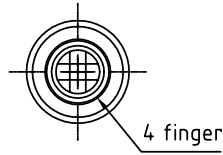


SIGN	DATE	DESCRIPTION	APPROVER
△			
THIS IS CAD DRAWING, DO NOT REVISE MANUALLY!!!			



Technical Data

- ◆ Material:
 - Pin (outer sleeve) : Brass,machined, CuZn38Pb2
 - Clip(contact 4 finger) : Beryllium copper ,heat treated or PHBZ
 - Plating(outer sleeve) : Tin plated : 2um/80u"nickel,5um/200u"Tin
Gold plated: 2um/80u"nickel,full gold
2um/80 u"nickel,gold or tin plating
- ◆ Electrical
 - Plating clip(contact):
 - Current rating : 3 Amps/contact max.
 - Contact resistance : ≤4mΩ/contact

OF4000X0XXX0G

Code	Clip plated	Pin plated	000	BeCu
0	Gold flash	Tin 200u"	H00	Clip 5210 HY
1	Gold 10u"	Tin 200u"	18H	Clip 5218 HY
2	Gold 30u"	Tin 200u"		
3	Tin 200u"	Tin 200u"		
4	Gold flash	Gold flash		
5	Gold 10u"	Gold flash		
6	Gold 30u"	Gold flash		

ANYTEK

CUSTOMER COPY

ALL RIGHTS RESERVED. REPRODUCTION OR ISSUE TO THIRD PARTIES IN ANY FORM WHATSOEVER IS NOT PERMITTED WITHOUT WRITTEN AUTHORITY FROM THE PROPRIETOR. PROPERTY OF ANYTEK TECHNOLOGY CO., LTD

TITLE	SF sleeve spec L: 9.86mm 折弯PIN.			
PART NO.	OF4000X0XXX0G	DWG NO.	80F0011	
APPROVED	CHECKED	DESIGNED	DRAWN	CUST NO.
		Seamus 2006.06.07	Aaron 2006.05.20	
				UNIT: mm
				SCALE: NONE
		SHEET: 01/01		REV.: B
				Tolerance
				X. ±0.50
				X.X ±0.30
				X.XX ±0.10
				X* ±1°