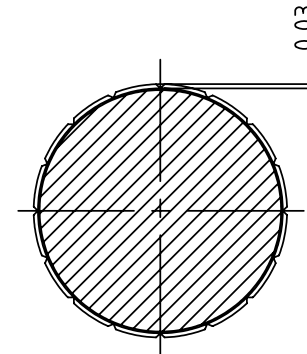
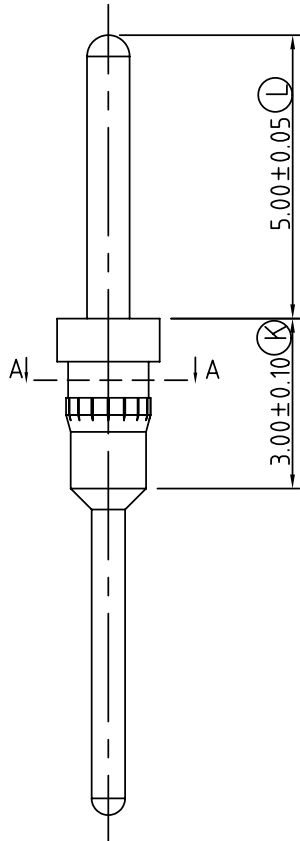
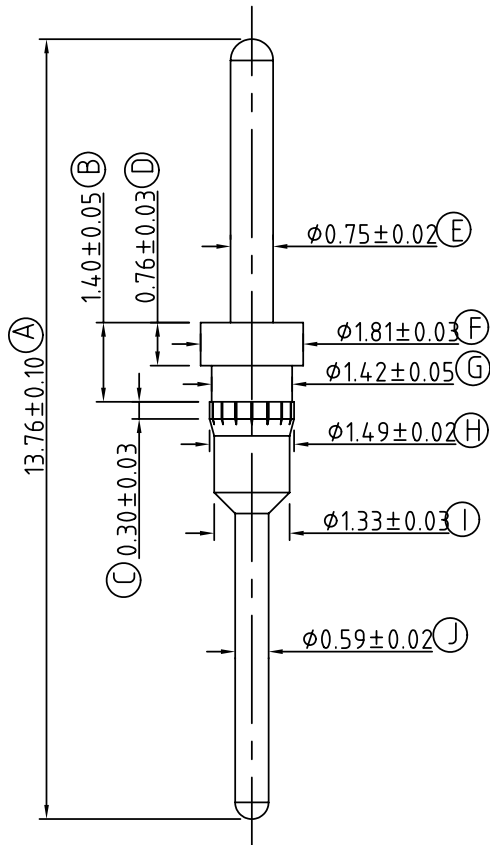
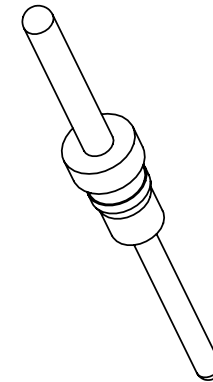


SIGN	DATE	DESCRIPTION	APPROVER
△			
THIS IS CAD DRAWING, DO NOT REVISE MANUALLY!!!			



DETAIL A-A
SCALE 30 : 1



Technical Data

- ◆ Material:
 - Pin (outer sleeve) : Brass,machined, CuZn38Pb2
 - Plating : Tin plated : 2um/80u"nickel,5um/200u"Tin
 - Gold plated: 2um/80 u"nickel,full gold
- ◆ Electrical
 - Current rating : 3 Amps/contact max.
 - Insulation resistance : ≥10000Mwat 500VAC
 - Operating voltage : 60V AC /DC

ANYTEK

CUSTOMER COPY

ALL RIGHTS RESERVED. REPRODUCTION OR ISSUE TO THIRD PARTIES IN ANY FORM WHATEVER IS NOT PERMITTED WITHOUT WRITTEN AUTHORITY FROM THE PROPRIETOR. PROPERTY OF ANYTEK TECHNOLOGY CO., LTD

TITLE		OV series L:13.76mm 折彎 pin壓直紋.			
PART NO.		OV0000x10000G		DWG NO. OV0001	
APPROVED	CHECKED	DESIGNED	DRAWN	CUST NO.	
		Seamus 2004.11.22	Aaron 2004.11.20		
				SCALE: NONE	X. ±0.50
				SHEET: 01/01	REV.: B
					X.X ±0.30
					X.XX ±0.10
					X° ±1°