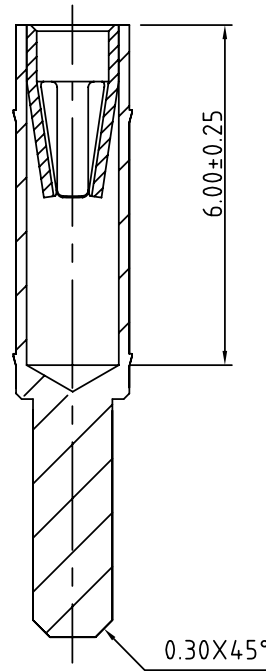
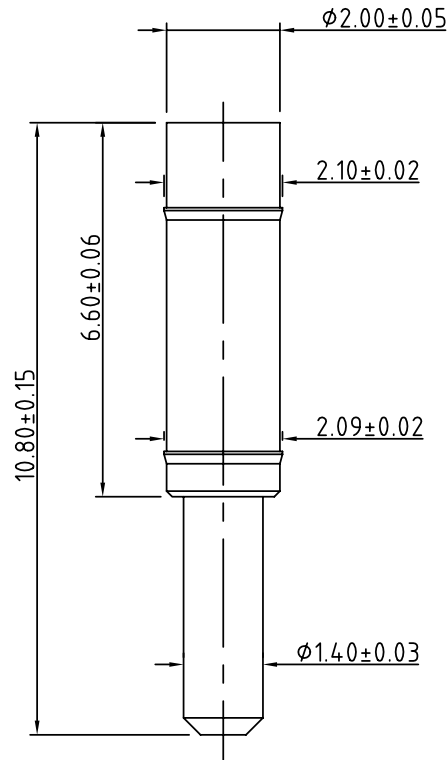
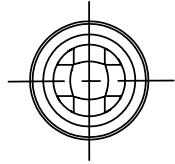


SIGN	DATE	DESCRIPTION	APPROVER
△			
THIS IS CAD DRAWING, DO NOT REVISE MANUALLY!!!			



**Material**

- Pin (outer sleeve) : Brass,machined
- Clip (contact 4 finger) : Beryllium copper treated
- Plating(Outer sleeve) : Tin plated:Cu80u"/2um/50u"nickel,5um/200u" Tin Gold plated;Cu80u"/2um/50u"nickel,Full gold flash
- Plating(contact) : 1.25um/50u"nickel,gold flash
- Electrical
- Current rating : 3Amps/contact max.
- Contact resistance : <4mΩ/contact
- Mechanical
- Average insertion force with steel pin of  $\phi 1.05\text{mm}/.04133"$  < 350gf
- Average withdrawal force with steel pin of  $\phi 1.05\text{mm}.04133"$  > 55gf
- Mechanical life : min.200

014000X00000G

Code	Clip plated	Pin plated
0	Gold flash	Tin 200u"
1	Gold 10u"	Tin 200u"
2	Gold 30u"	Tin 200u"
3	Tin 200u"	Tin 200u"
4	Gold flash	Gold flash
5	Gold 10u"	Gold flash
6	Gold 30u"	Gold flash

**ANYTEK**

**CUSTOMER COPY**

ALL RIGHTS RESERVED. REPRODUCTION OR ISSUE TO THIRD PARTIES IN ANY FORM WHATSOEVER IS NOT PERMITTED WITHOUT WRITTEN AUTHORITY FROM THE PROPRIETOR. PROPERTY OF ANYTEK TECHNOLOGY CO., LTD

TITLE		O1 10.8mm PIN			
PART NO.	014000X00000G			DWG NO.	80I0002
APPROVED	CHECKED	DESIGNED	DRAWN	CUST NO.	Tolerance
		Seamus 2006.06.13	Aaron 2005.11.20		X. ±0.50 X.X ±0.30 X.XX ±0.10 X* ±1°
				UNIT: mm	
				SCALE: NONE	
				SHEET: 01/01	REV.: B