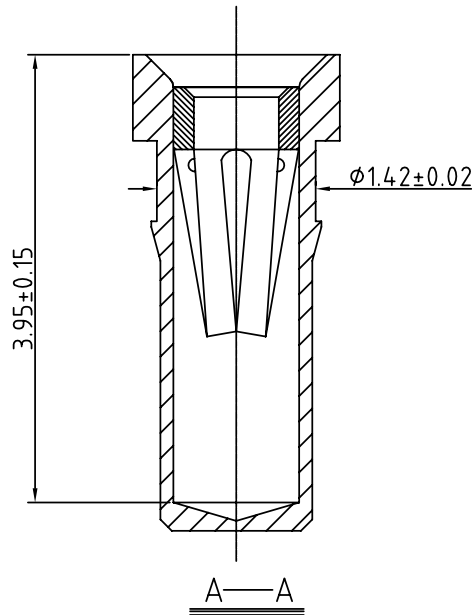
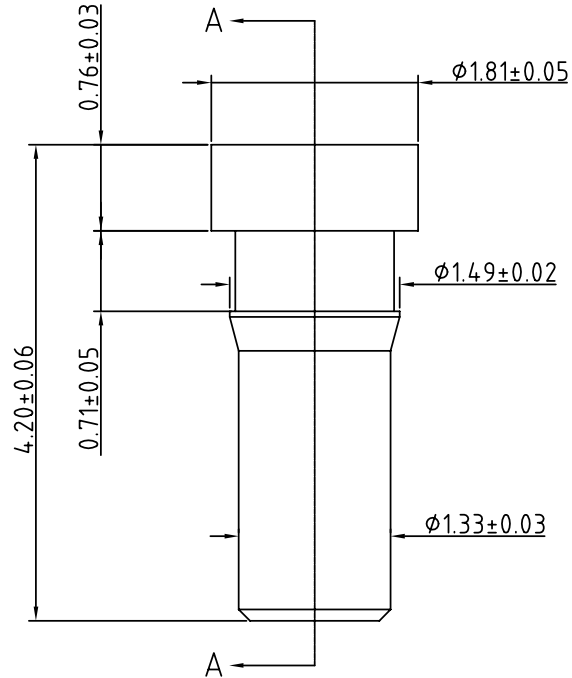
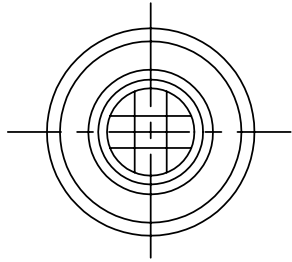


SIGN	DATE	DESCRIPTION	APPROVER
△			
THIS IS CAD DRAWING, DO NOT REVISE MANUALLY!!!			



Material

- Pin (outer sleeve) : Brass,machined,CuZn38pB2
- Clip (contact 4/6 finger) : Beryllium copper,heat treated
- Plating(Outer sleeve) : Tin plated:2um/80u"nickel, 5um/200u"Tin
- Gold plated;2ugm/80u"nickel,Full gold flash
- Plating(contact) : 2um/80u"nickel,gold or Tin
- Electrical
 - Current rating : 3Amps/contact max.
- Contact resistance : <4mΩ/contact
- Mechanical
 - Average insertion force with steel pin of
 - (Ø0.43mm/0.017") : 4-finger ≤250g
 - 6-finger ≤80g
 - Mechanical life : min.200

OH - X 0 1 0 X 0 0000G

	pin plated:	Code	Clip plated	Pin plated
		0	Gold Flash	Tin 200u"
	01	With loop	1 Gold 10u"	Tin 200u"
			2 Gold 30u"	Tin 200u"
			3 Tin 200u"	Tin 200u"
	4	4-finger	4 Gold flash	Gold flash
	6	6-finger	5 Gold 10u"	Gold flash
			6 Gold 30u"	Gold flash

ANYTEK

INSPECTION COPY

ALL RIGHTS RESERVED. REPRODUCTION OR ISSUE TO THIRD PARTIES IN ANY FORM WHATSOEVER IS NOT PERMITTED WITHOUT WRITTEN AUTHORITY FROM THE PROPRIETOR. PROPERTY OF ANYTEK TECHNOLOGY CO., LTD

TITLE		OH Standard sleeve spec L: 4.20mm(With loop).					
PART NO.		OHX010X00000G			DWG NO.		OH0002
APPROVED	CHECKED	DESIGNED	DRAWN	CUST NO.		Tolerance	
		Seamus 2005.08.26	Aaron 2005.08.20			X. ±0.50	
						UNIT: mm	
						SCALE: NONE	
						X.X ±0.30	
						X.XX ±0.10	
						X° ±1°	
						SHEET: 01/01	
						REV.: A	