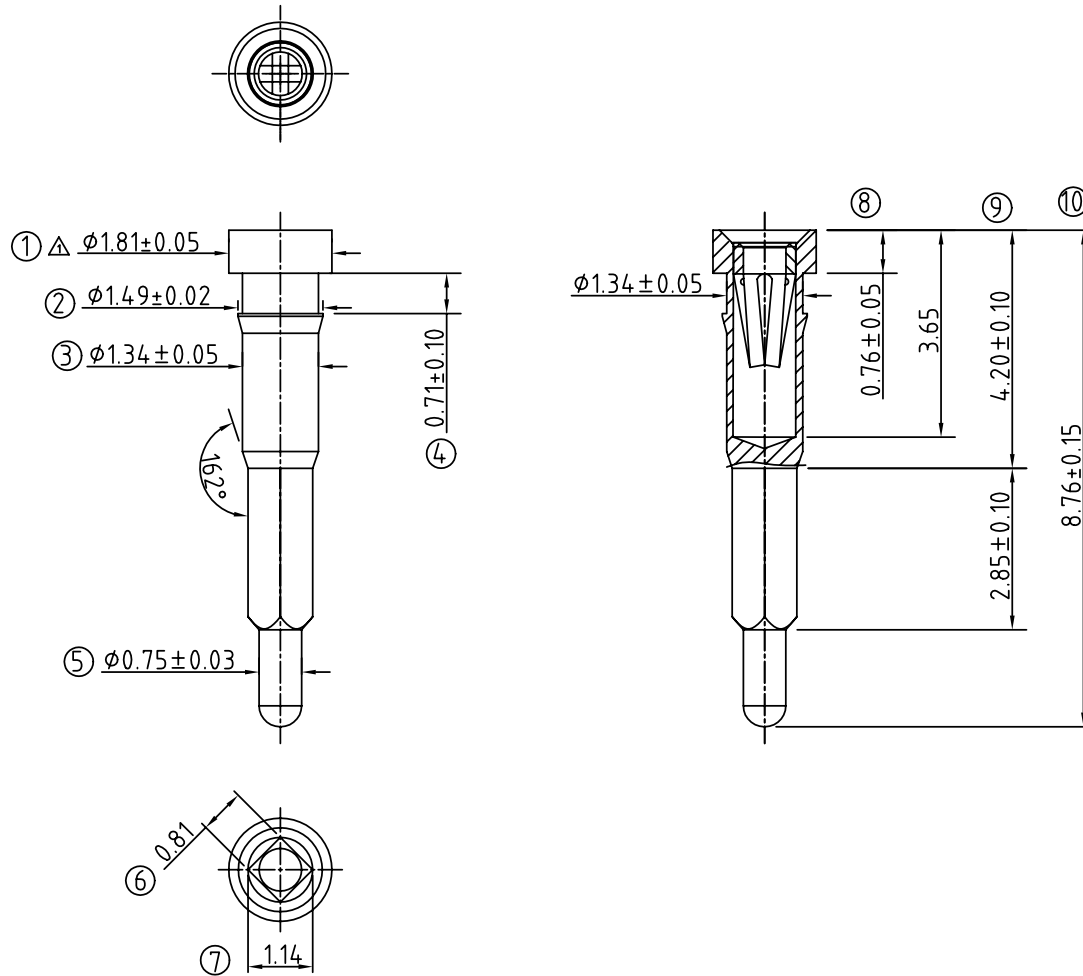


SIGN	DATE	DESCRIPTION	APPROVER
△	2009.10.10	The Dimension is changed from : $\phi 1.82 \pm 0.01$ to $\phi 1.81 \pm 0.03$	Seamus
△	2009.10.10	Tolerance is changed	Seamus

THIS IS CAD DRAWING, DO NOT REVISE MANUALLY!!!



OC4000X10000G

Code	Clip plated	Pin plated
0	Gold flash	Tin 200u"
1	Gold 10u"	Tin 200u"
2	Gold 30u"	Tin 200u"
3	Tin 200u"	Tin 200u"
4	Gold flash	Gold flash
5	Gold 10u"	Gold flash
6	Gold 30u"	Gold flash

Technical Data:

Material:

- Pin (outer sieve) : Brass,machined, CuZn38Pb2.
- Plating(outer sleeve) : Cu 4.0 μ "-8.0 μ " +Ni 5.0 μ "-8.0 μ " +Sn 2.0 μ "-2.4 μ ".
- Dimmension of exterior diameter added 0.0145-0.020mm after plating.
- Dimmension of internal diameter reduced 0.0145-0.020mm after plating.

環保要求須符合: ANYTEK GP-00-002 環境禁限用物質管理技術標準

ANYTEK				CUSTOMER COPY			
ALL RIGHTS RESERVED. REPRODUCTION OR ISSUE TO THIRD PARTIES IN ANY FORM WHATSOEVER IS NOT PERMITTED WITHOUT WRITTEN AUTHORITY FROM THE PROPRIETOR. PROPERTY OF ANYTEK TECHNOLOGY CO., LTD							
TITLE		OC series standard pin 8.76mm PIN ADD CLIP					
PART NO.		OC4000X10000G		DWG NO.		80C0001	
APPROVED		CHECKED	DESIGNED	DRAWN	CUST NO.		Tolerance
Seamus 2009.10.10		Seamus 2009.10.10	Seamus 2009.10.10	Seamus 2009.10.10			X. ±0.50 X.X ±0.30 X.XX ±0.10 X° ±1°
SHEET: 01/01				UNIT: mm		SCALE: NONE	
				REV.: B			