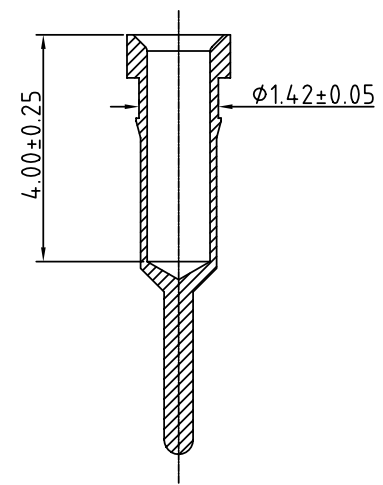
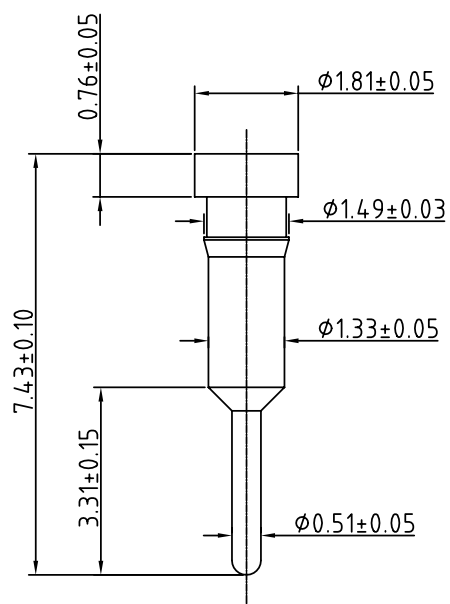
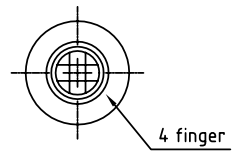
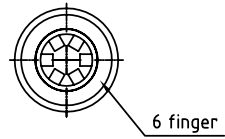


SIGN	DATE	DESCRIPTION	APPROVER
△			
THIS IS CAD DRAWING, DO NOT REVISE MANUALLY!!!			



Technical Data

- Material:
- Pin (outer sleeve): Brass, machined, CuZn38Pb2
 - Clip(contact 4/6 finger): Beryllium copper, heat treated or PHBZ
 - Plating(outer sleeve): Tin plated: 2um/80u"nickel, 5um/200u" Tin
 - Gold plated: 2um/80 u"nickel, Full gold flash
 - Plating(contact): 2um/80 u"nickel, gold or Tin plating(See TABLE)
- Electrical
- Current rating: 3 Amps/contact max.
 - Current resistance: <4m /contact.
- Mechanical
- Average insertion force with steel pin of $\phi 0.43\text{mm}/0.017''$: Ω
 - 4-finger > 250g, 6-finger > 80g
 - Average withdrawal force with steel pin of $\phi 0.43\text{mm}/0.017''$:
 - 4-finger > 50g, 6-finger > 15g
 - Mechanical life: min. 200

O A X 0 0 X X 0 X X X X G

4	4 finger	0	BeCu
6	6 finger	1	PhBz

Code	Clip plated	Pin plated
0	Gold flash	Tin 200u"
1	Gold 10u"	Tin 200u"
2	Gold 30u"	Tin 200u"
3	Tin 200u"	Tin 200u"
4	Gold flash	Gold flash
5	Gold 10u"	Gold flash
6	Gold 30u"	Gold flash

0000	ROHS Clip BeCu
H000	Clip 5210

ANYTEK

CUSTOMER COPY

ALL RIGHTS RESERVED. REPRODUCTION OR ISSUE TO THIRD PARTIES IN ANY FORM WHATSOEVER IS NOT PERMITTED WITHOUT WRITTEN AUTHORITY FROM THE PROPRIETOR. PROPERTY OF ANYTEK TECHNOLOGY CO., LTD

TITLE		Standard sleeve spec L: 7.43mm			
PART NO.		OAX00XX0XXXXG		DWG NO. 80A0026	
APPROVED	CHECKED	DESIGNED	DRAWN	CUST NO.	
		Seamus 2007.01.24	Aaron 2007.01.20		
				UNIT: mm	
				SCALE: NONE	
				Tolerance	
				X. ±0.50	
				X.X ±0.30	
				X.XX ±0.10	
				X* ±1*	
				SHEET: 01/01	
				REV.: B	