

SIGN	DATE	DESCRIPTION	APPROVER
△			
THIS IS CAD DRAWING, DO NOT REVISE MANUALLY!!!			

S5 Series  
Technical Data

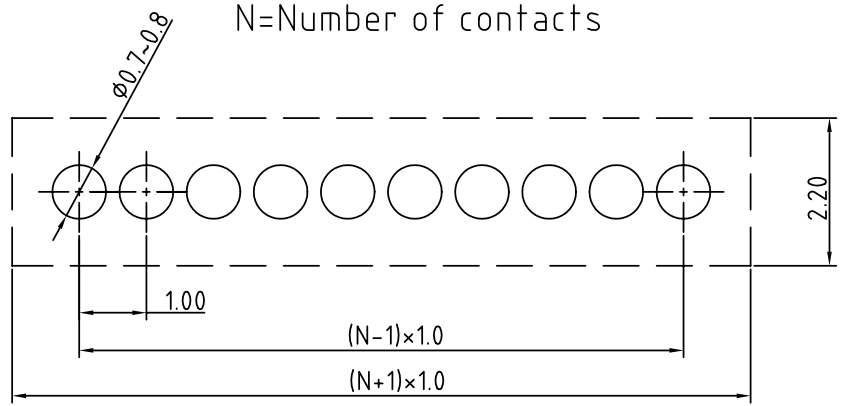
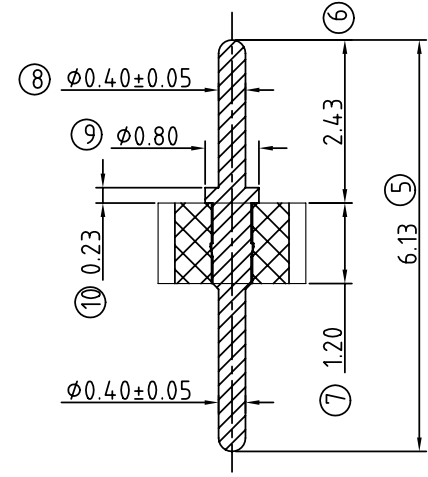
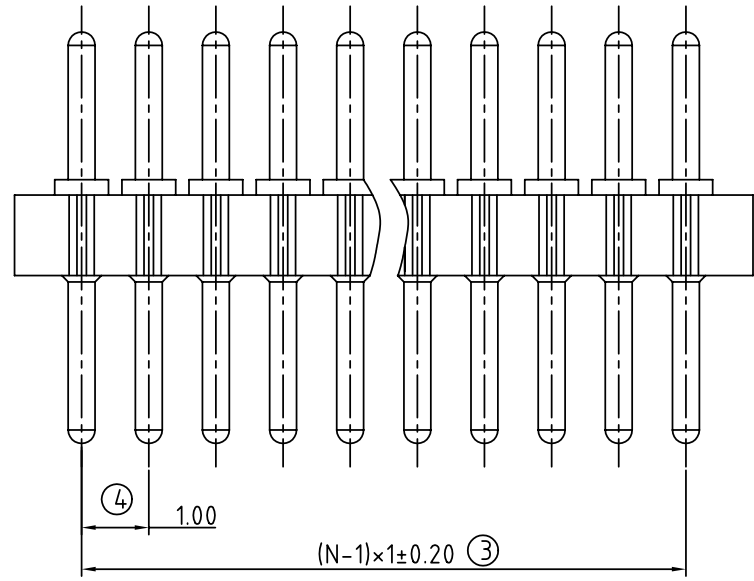
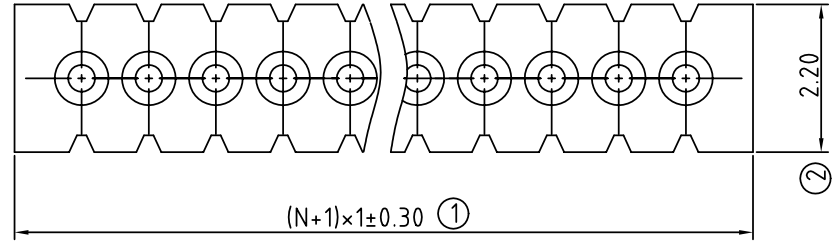
Material  
Insulator: Glass filled Hi-temperature thermoplastic UL 94V-0 colour black.  
Pin : brass .gold or tin-lead plated over 2-3um nickel

Electrical Characteristics  
Operating voltage: 50 V<sub>RMS</sub> /60V<sub>DC</sub>  
Continuous operating: max.1A per terminal current  
Insulation resistance: 10000M (after climatic tests)  
Dielectric strength: 500V<sub>RMS</sub>  
Air and creepage (min): 0.2  
Capacitance(pF): 1

Environmental  
Operating temperature : -55°C to +125°C  
Solderability (IEC 60068-2-20. Ta) :235°C, 2s  
Resistance to soldering heat (IEC 60068-2-20. Tb) :  
-Through hole mount components :280°C, 10s

S5 - XX 0 0 X 0 XXXXG

No.of contacts :01-50  
pin plated: Code Pin plated  
0 Tin 200u"  
1 Gold flash  
2 Gold 10u"  
3 Gold 30u"  
0000 ROHS



N=Number of contacts

P.C.B LAYOUT

<b>ANYTEK</b>				<b>CUSTOMER COPY</b>			
ALL RIGHTS RESERVED. REPRODUCTION OR ISSUE TO THIRD PARTIES IN ANY FORM WHATSOEVER IS NOT PERMITTED WITHOUT WRITTEN AUTHORITY FROM THE PROPRIETOR. PROPERTY OF ANYTEK TECHNOLOGY CO., LTD							
TITLE	S5 單排 IC/SKT 1.00mm pitch						
PART NO.	S5XX00X0XXXXG			DWG NO.	8S50001		
APPROVED	CHECKED	DESIGNED	DRAWN	CUST NO.	Tolerance		
		Joanna 2005.08.04	Joanna 2005.08.04		X. ±0.50 X.X ±0.30 X.XX ±0.10 X* ±1*		
				SHEET: 01/01		UNIT: mm SCALE: NONE REV.: C	