

SIGN	DATE	DESCRIPTION	APPROVER
△			

THIS IS CAD DRAWING, DO NOT REVISE MANUALLY!!!

S4 Series  
Technical Data

Materials

Sleeve: brass ,gold or tin-lead plated over 2-3um nickel  
 Clip: Stamped beryllium-copper,gold or tin-lead plated over 2-3um nickel.  
 Insulator:Glass filled Hi-temperature thermoplastic UL 94V-0

Electrical Characteristics

Operating coltage: 50 V<sub>RMS</sub> /60V<sub>Dc</sub>  
 Continuous operating: max.1A per terminal current  
 Insulation resistance: 10000M (after climatic tests)  
 Dielectric strength: 500V<sub>RMS</sub>  
 Air and creepage (min): 0.2  
 Capacitance(pF): 1

Mechanical Characteristics

Insertion force with 0.28dia test probe 30 grams max.  
 Withdrawal force with 0.28 dia test probe 9 grams min.  
 Max pin dia accepted 0.30

Environmenral

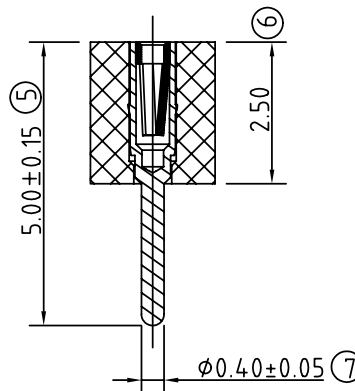
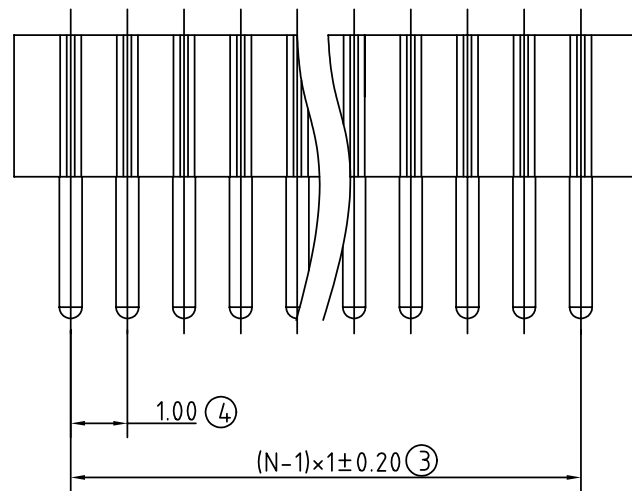
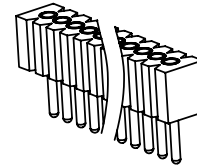
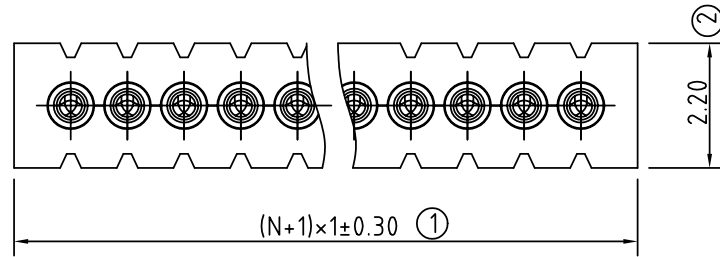
Operating temperature : -55°C to +125°C  
 Solderability (IEC 60068-2-20. Ta) :235°C, 2s  
 Resistance to soldering heat (IEC 60068-2-20. Tb) :  
 -Through hole mount components :280°C, 10s

S4 - XX 0 0 X 1 XXXXG

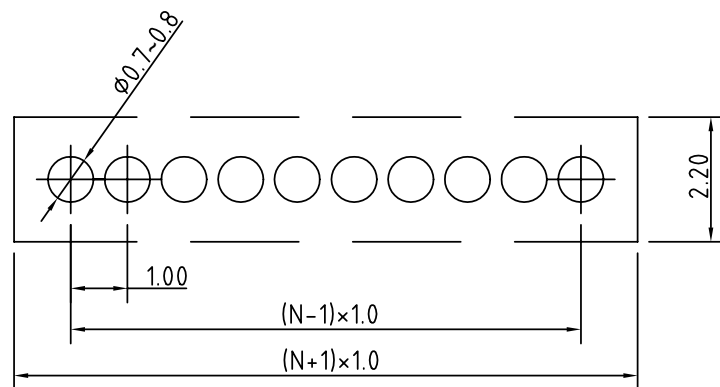
No.of contacts :01-50

pin plated: Code	Clip plated	Pin plated
0	Gold Flash	Tin 200u"
1	Gold 10u"	Tin 200u"
2	Gold 30u"	Tin 200u"
3	Tin 200u"	Tin 200u"
4	Gold flash	Gold flash
5	Gold 10u"	Gold flash
6	Gold 30u"	Gold flash

0000 ROHS



N=Number of contacts



P.C.B LAYOUT

<b>ANYTEK</b>				<b>CUSTOMER COPY</b>			
ALL RIGHTS RESERVED. REPRODUCTION OR ISSUE TO THIRD PARTIES IN ANY FORM WHATSOEVER IS NOT PERMITTED WITHOUT WRITTEN AUTHORITY FROM THE PROPRIETOR. PROPERTY OF ANYTEK TECHNOLOGY CO., LTD							
TITLE	S4 IC/SKT 單排成品圖						
PART NO.	S4XX00X1XXXXG			DWG NO.	8S40001		
APPROVED	CHECKED	DESIGNED	DRAWN	CUST NO.	Tolerance		
		Joanna 2005.08.03	Joanna 2005.08.03		X. ±0.50 X.X ±0.30 X.XX ±0.10 X* ±1*		
				SHEET: 01/01		REV.: C	