

SIGN	DATE	DESCRIPTION	APPROVER
△			
THIS IS CAD DRAWING, DO NOT REVISE MANUALLY!!!			

S2 Series
Technical Data

Material
 Insulator: Glass filled Hi-temperature thermoplastic UL 94V-0
 Receptacle contact:
 Sleeve: brass, gold or tin-lead plated over 2-3um nickel
 Clip: Stamped beryllium-copper, gold or tin-lead plated over 2-3um nickel.

Mechanical
 Gauge diameter(mm): $\varnothing 0.38$
 Insertion foree(N): 0.6
 Withdrawal force(N): 0.2
 Mechanical life: min, 200

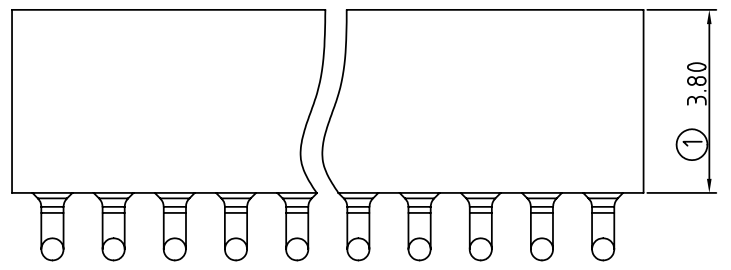
Electrical
 Rated current(A): 1
 Rated voltage: 50 V_{DC} / 75V_{DC}
 Max contact resistance(m): 20m
 Insulation resistance: 10000M (after climatic tests)
 Dielectric strength: 500V_{RMS}
 Air and creepage(min): 0.4/0.5
 Capacitance(pF): 1

Environmental
 Operating temperature: -55°C to +125°C
 Vibration(10-2000Hz, 15g): no electrical discontinuity > 1us
 Shock:(50g): no electrical discontinuity > 1us
 Solderability (IEC 60068-2-20. Ta) : 235°C, 2s
 Resistance to soldering heat (IEC 60068-2-20. Tb) :
 -SMD mount components : 280°C, 10s

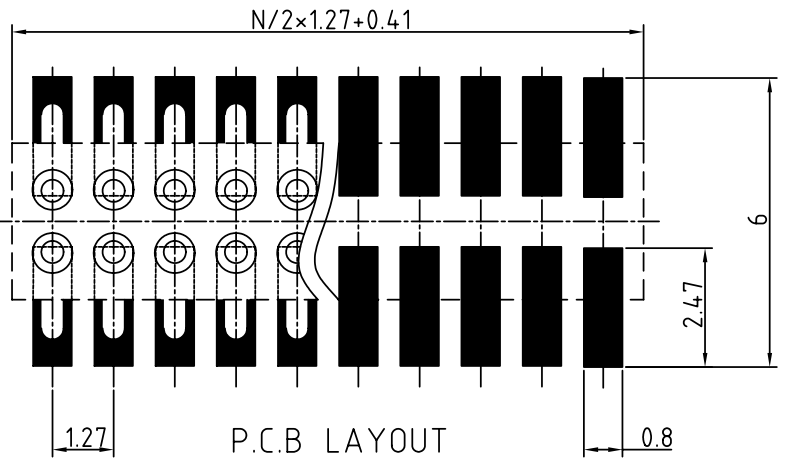
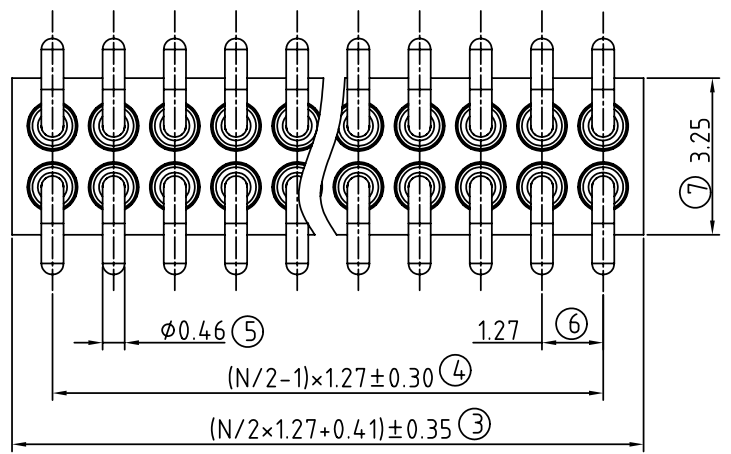
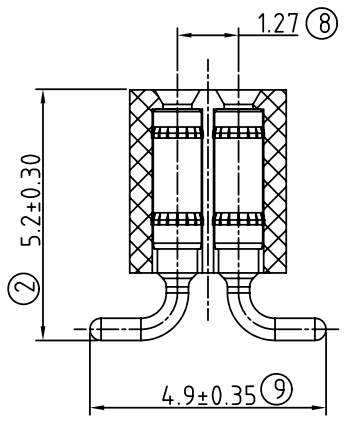
S2 - XX 1 0 X 0 0000G

No. of contacts : 02~100

pin plated: Code	Clip plated	Pin plated
0	Gold Flash	Tin 200u"
1	Gold 10u"	Tin 200u"
2	Gold 30u"	Tin 200u"
3	Tin 200u"	Tin 200u"
4	Gold flash	Gold flash
5	Gold 10u"	Gold flash
6	Gold 30u"	Gold flash



N=Number of contacts



ANYTEK				CUSTOMER COPY			
ALL RIGHTS RESERVED. REPRODUCTION OR ISSUE TO THIRD PARTIES IN ANY FORM WHATSOEVER IS NOT PERMITTED WITHOUT WRITTEN AUTHORITY FROM THE PROPRIETOR. PROPERTY OF ANYTEK TECHNOLOGY CO., LTD							
TITLE		S2 雙排 IC/SKT 1.27mm pitch					
PART NO.		S2XX10X00000G		DWG NO.		8S20002	
APPROVED		CHECKED	DESIGNED	DRAWN	CUST NO.		Tolerance
			Joanna 2005.08.03	Joanna 2005.08.03			X. ±0.50 X.X ±0.30 X.XX ±0.10 X* ±1*
						UNIT: mm	
				SHEET: 01/01		SCALE: NONE	REV.: C