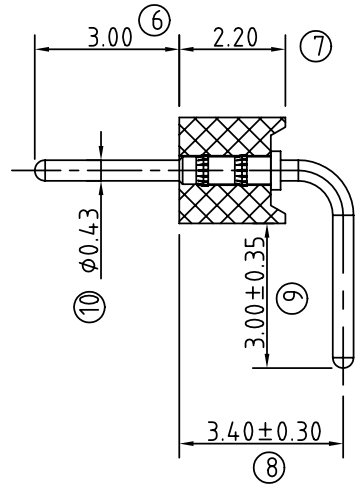
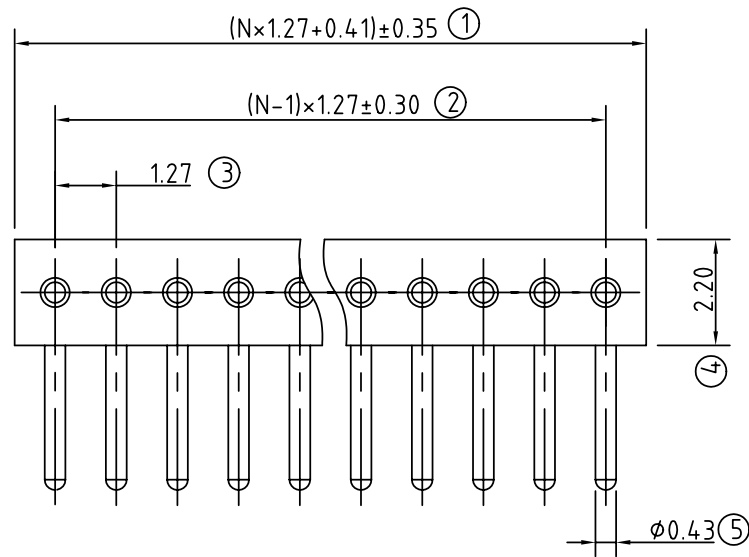
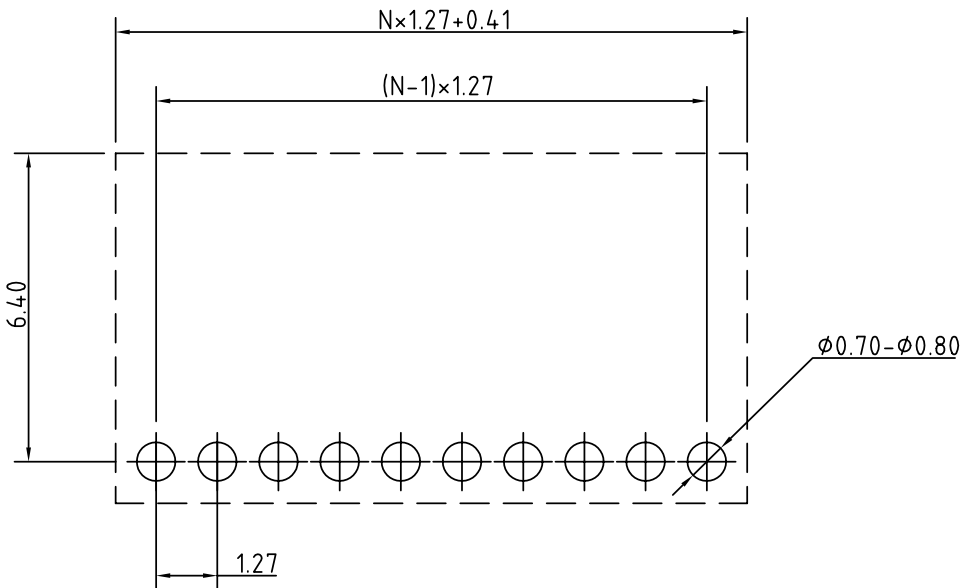


SIGN	DATE	DESCRIPTION	APPROVER
△			
THIS IS CAD DRAWING, DO NOT REVISE MANUALLY!!!			



N=Number of contacts



P.C.B LAYOUT

S1 Series
 Technical Data
 Material
 Insulator: Glass filled Hi-temperature thermoplastic UL 94V-0 colour black.
 Pin : brass .gold or tin-lead plated over 2-3um nickel

Electrical
 Rated current(A):1
 Rated voltage: 50V_{RMS} / 75V_{Dc}
 Insulation resistance:10000M (after climatic tests)
 Dielectric strength: 500V_{RMS}
 Air and creepage(min): 0.4/0.5
 Capacitance(pF): 1

Environmental
 Operating temperature: -55°C to +125°C
 Vibration(10-2000Hz,15g): no electrical discontinuity>1us
 Shock:(50g): no electrical discontinuity>1us
 Solderability (IEC 60068-2-20. Ta) :235°C, 2s
 Resistance to soldering heat (IEC 60068-2-20. Tb) :
 -Through hole mount components :280°C, 10s

S1 - XX 0 0 X 0 0000G
 No.of contacts :01~50
 pin plated: Code Pin plated
 0 Tin 200u"
 1 Gold flash
 2 Gold 10u"
 3 Gold 30u"

ANYTEK				CUSTOMER COPY			
ALL RIGHTS RESERVED. REPRODUCTION OR ISSUE TO THIRD PARTIES IN ANY FORM WHATSOEVER IS NOT PERMITTED WITHOUT WRITTEN AUTHORITY FROM THE PROPRIETOR. PROPERTY OF ANYTEK TECHNOLOGY CO., LTD							
TITLE		S1 單排 IC/SKT 1.27mm pitch					
PART NO.		S1XX00X00000G			DWG NO.		8S10001
APPROVED	CHECKED	DESIGNED	DRAWN	CUST NO.		Tolerance	
		Joanna 2005.08.02	Joanna 2005.08.02			UNIT: mm	X. ±0.50
						SCALE: NONE	X.X ±0.30
				SHEET: 01/01		REV: C	X* ±1*