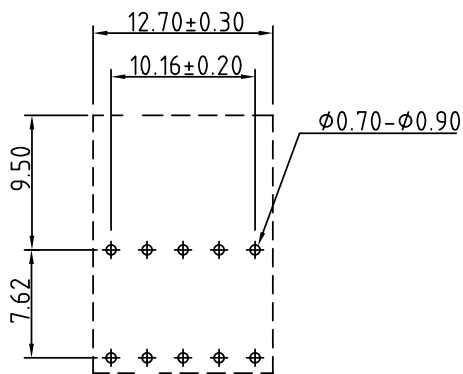
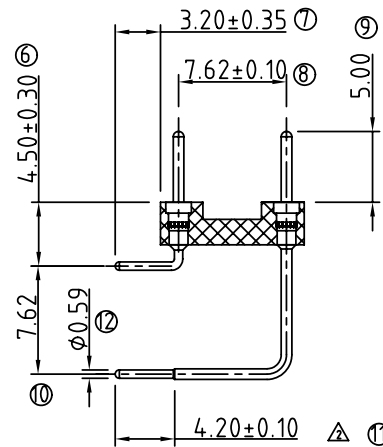
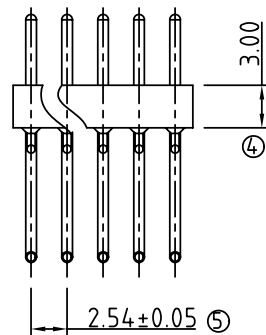
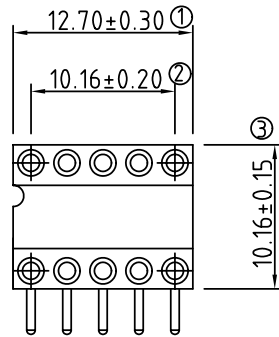


SIGN	DATE	DESCRIPTION	APPROVER
△	2007.12.26	Part No. is changed	Liuxiaolan
△	09.10.13	ADD Dimension : 4.20±0.10	Seamus

THIS IS CAD DRAWING, DO NOT REVISE MANUALLY!!!



P.C.B. LAYOUT

Contact	DIM A	DIM B
20	25.40	22.86
24	30.48	27.94
28	35.56	33.02

SV Series

Technical Data

◆ Material:

Pin (outer sleeve) : Brass,machined, CuZn38Pb2  
 Plating : Tin plated : 2um/80u"nickel,5um/200u" Tin  
 Gold plated: 2um/80 u"nickel,full gold  
 Insulator body(black) : Glass filled polyester UL94V-0

◆ Electrical

Current rating : 3 Amps/contact max.  
 Insulation resistance : ≥10000M $\Omega$ at 500VAC  
 Rated voltage : 100 VRMS /150VDC

◆ Mechanical

Operating temperature : Gold plated: -55 $^{\circ}$  to +125 $^{\circ}$   
 -67 $^{\circ}$  F to +257 $^{\circ}$  F  
 Tin plated: -40 $^{\circ}$  to +105 $^{\circ}$

◆ Applications and features:

- The male header contacts are designed for "Sandwich application" because The pin of  $\phi 0.6\text{mm}/0.050$ " can be plugged into a standard IC-contact.
- 3 different heights are available.
- Low profile type..
- Side and end stackable.
- Twist free construction.

◆ Environmental data

Solderability (IEC 60068-2-20. Ta) :235 $^{\circ}$  C, 2s  
 Resistance to soldering heat (IEC 60068-2-20. Tb) :  
 -Through hole mount components :260 $^{\circ}$  C, 10s

Ordering information

SV - XX 3 1 X 0000G △

pin plated- 0: Tin 200u"  
 1: Gold flash  
 2: Gold 10u"  
 3: Gold 30u"

No.of contacts : 20-28

**ANYTEK**

**CUSTOMER COPY**

ALL RIGHTS RESERVED. REPRODUCTION OR ISSUE TO THIRD PARTIES IN ANY FORM WHATSOEVER IS NOT PERMITTED WITHOUT WRITTEN AUTHORITY FROM THE PROPRIETOR. PROPERTY OF ANYTEK TECHNOLOGY CO., LTD

TITLE		SV- IC sockets 7.62mm(0.3) 90° Series(ROHS) Closde frame		
PART NO.	SVXX31X00000G	DWG NO.	8SV0312	
APPROVED	CHECKED	DESIGNED	DRAWN	CUST NO.
Seamus	Seamus	Seamus	Seamus	
2009.10.13	2009.10.13	2009.10.13	2009.10.13	
SHEET: 01/01		UNIT: mm		Tolerance
SCALE: NONE		REV.: C		X. ±0.50
				X.X ±0.30
				X.XX ±0.10
				X* ±1 $^{\circ}$