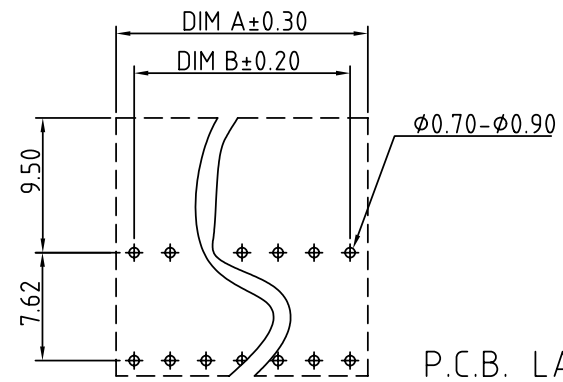
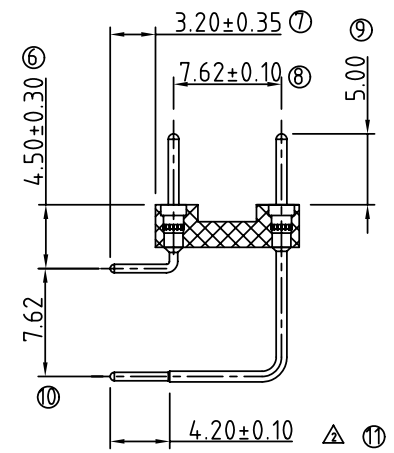
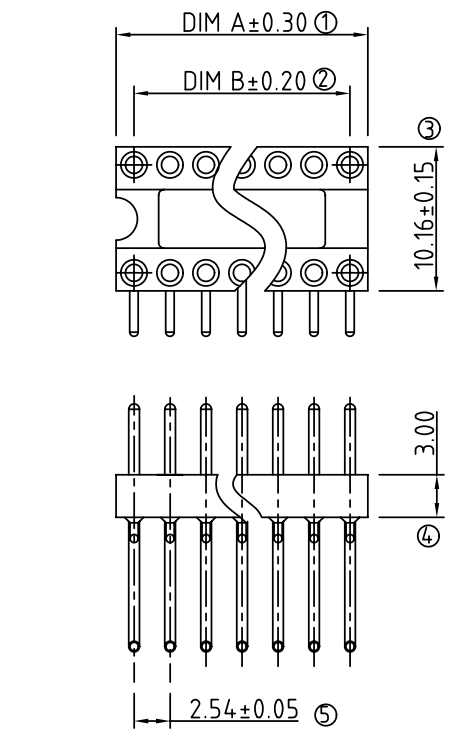


SIGN	DATE	DESCRIPTION	APPROVER
△	2007.12.26	Part No. is changed	Liuxiaolan
△	09.10.13	ADD Dimension : 4.20±0.10	Seamus

THIS IS CAD DRAWING, DO NOT REVISE MANUALLY!!!



P.C.B. LAYOUT

Contact	DIM A	DIM B	Contact	DIM A	DIM B
06	7.62	5.08	18	22.86	20.32
08	10.16	7.62	20	25.40	22.86
10	12.70	10.16	24	30.48	27.94
14	17.78	15.24	28	35.56	33.02
16	20.32	17.78			

SV Series
Technical Data

- ◆ Material:
 - Pin (outer sleeve) : Brass, machined, CuZn38Pb2
 - Plating : Tin plated : 2um/80u"nickel, 5um/200u" Tin
 - Gold plated: 2um/80 u"nickel, full gold
 - Glass filled polyester UL94V-0
- ◆ Electrical
 - Insulator body(black) :
 - Current rating : 3 Amps/contact max.
 - Insulation resistance : ≥10000M Ω at 500VAC
 - Rated voltage : 100 VRMS /150VDC
- ◆ Mechanical
 - Operating temperature : Gold plated: -55 $^{\circ}$ to +125 $^{\circ}$
 - (Continuous) -67 $^{\circ}$ F to +257 $^{\circ}$ F
 - Tin plated: -40 $^{\circ}$ to +105 $^{\circ}$
- ◆ Applications and features:
 - 1.The male header contacts are designed for "Sandwich application" because The pin of $\phi 0.6\text{mm}/0.050"$ can be plugged into a standard IC-contact.
 - 2.3 different heights are available.
 - 3.Low profile type..
 - 4.Side and end stackable.
 - 5.Twist free construction.
- ◆ Environmental data
 - Solderability (IEC 60068-2-20. Ta) :235 $^{\circ}$ C, 2s
 - Resistance to soldering heat (IEC 60068-2-20. Tb) :
 - Through hole mount components :260 $^{\circ}$ C, 10s

Ordering information

SV - XX 3 2 X 00000G △

└── pin plated- 0: Tin 200u"
1: Gold flash
2: Gold 10u"
3: Gold 30u"

└── No.of contacts : 02-80

ANYTEK				CUSTOMER COPY			
ALL RIGHTS RESERVED. REPRODUCTION OR ISSUE TO THIRD PARTIES IN ANY FORM WHATSOEVER IS NOT PERMITTED WITHOUT WRITTEN AUTHORITY FROM THE PROPRIETOR. PROPERTY OF ANYTEK TECHNOLOGY CO., LTD							
TITLE		SV- IC sockets 7.62mm(0.3) 90° Series(ROHS) open frame w/o bar					
PART NO.		SVXX32X00000G			DWG NO.		8SV0301
APPROVED		CHECKED	DESIGNED	DRAWN	CUST NO.		Tolerance
		Seamus 2009.10.13	Seamus 2009.10.13	Seamus 2009.10.13			X. ±0.50 X.X ±0.30 X.XX ±0.10 X* ±1°
						UNIT: mm	
				SHEET: 01/01		SCALE: NONE	
				REV.: D			