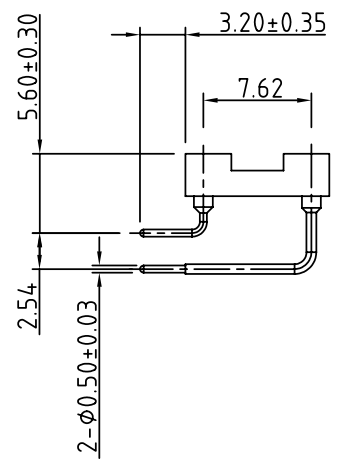
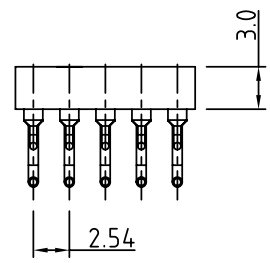
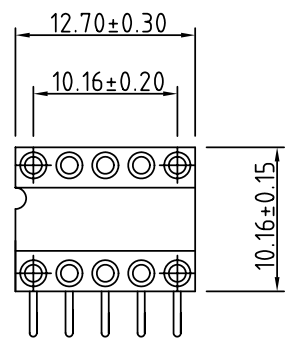
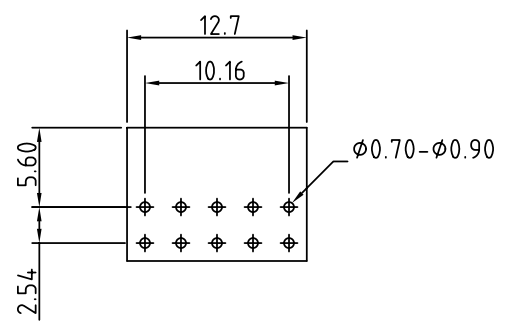


SIGN	DATE	DESCRIPTION	APPROVER
△			
THIS IS CAD DRAWING, DO NOT REVISE MANUALLY!!!			



P.C.B. LAYOUT



Technical Data:

Material:

- Pin (outer sleeve) : Brass,machined, CuZn38Pb2
 - Clip(contact 4 finger):Beryllium copper,heat treated or PHBZ
 - Plating(outer sleeve) : Tin plated:2μm/80μ"nickel,5μm/200μ"Tin
Gold plated:2μm/80μ"nickel,Full gold
 - Plating(contact):2μm/80μ"nickel,gold or Tin plating
 - Insulator body(housing) :Glass filled thermoplastic Polyester UL94V-0
- Electrical
- Current rating : 3 Amps/contact max.
 - Contact resistance : <4mΩ/contact
 - Insulation resistance: >10000MΩ at V=500VAC
 - Operating : 60 vac/DC
- Mechanical
- Operating temperature: Gold plated:-55°C to +125°C (continuous) Tin plated:-40°C to +105°C
 - Average insertion force : <250g with steel pin of ∅0.43mm/0.017"
 - Average withdrawal :>50g force with steel pin of ∅0.43mm/0.017"
 - Mechanical life : min.200
 - Soldering temperature : +260°C,10s max.
- Ordering information:

SF - 1 0 2 1 X 0 XXXXG

pin plated: Code	Clip plated	Pin plated		
0	Gold Flash	Tin 200u"	0000	Clip BeCu
1	Gold 10u"	Tin 200u"	5QH0	Clip 5210 ROHS
2	Gold 30u"	Tin 200u"		
3	Tin 200u"	Tin 200u"		
4	Gold flash	Gold flash		
5	Gold 10u"	Gold flash		
6	Gold 30u"	Gold flash		

ANYTEK				CUSTOMER COPY			
ALL RIGHTS RESERVED. REPRODUCTION OR ISSUE TO THIRD PARTIES IN ANY FORM WHATSOEVER IS NOT PERMITTED WITHOUT WRITTEN AUTHORITY FROM THE PROPRIETOR. PROPERTY OF ANYTEK TECHNOLOGY CO., LTD							
TITLE	SF- IC sockets 7.62mm(0.3) 90° 10PIN(closed)						
PART NO.	SF1021X0XXXXG			DWG NO.	85F0306		
APPROVED	CHECKED	DESIGNED	DRAWN	CUST NO.	Tolerance		
		Seamus 2005.07.08	Seamus 2005.07.06		UNIT: mm SCALE: NONE		X. ±0.50 X.X ±0.30 X.XX ±0.10 X* ±1°
				SHEET: 01/01	REV.: C		