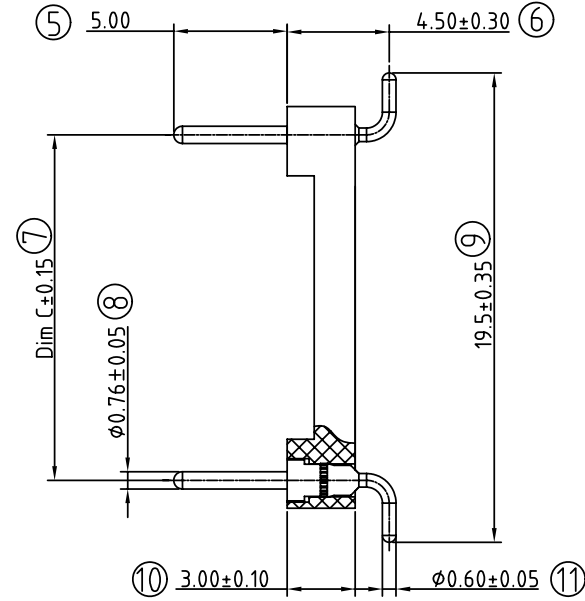
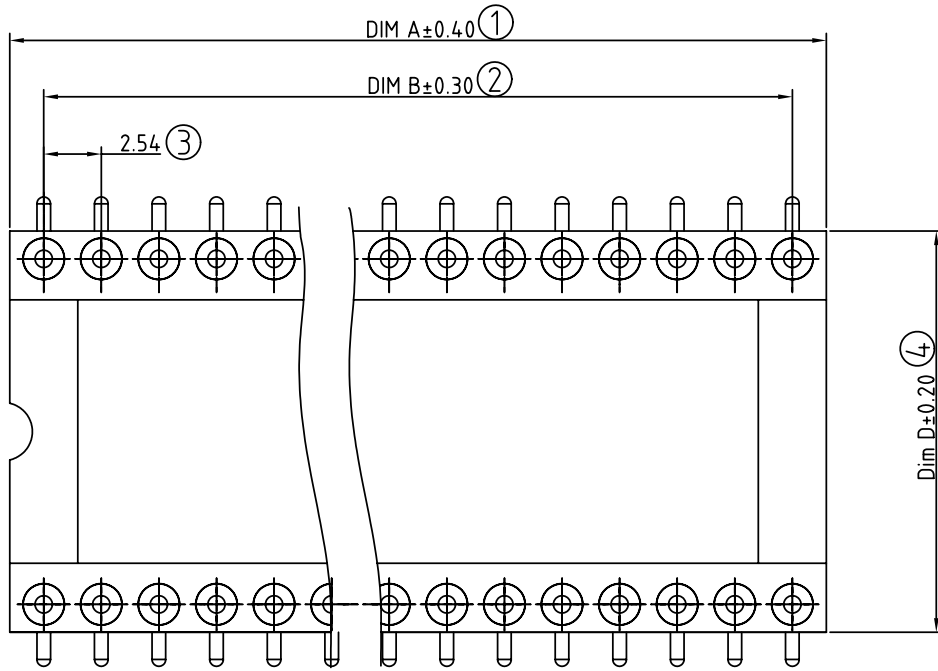


SIGN	DATE	DESCRIPTION	APPROVER
△			
THIS IS CAD DRAWING, DO NOT REVISE MANUALLY!!!			



**RB Series  
Technical Data**

- ◆ **Material:**  
Pin (outer sleeve) : Brass, machined, CuZn38Pb2  
Plating : Tin plated : 2um/80u"nickel, 5um/200u" Tin  
Gold plated: 2um/80 u"nickel, full gold
- ◆ **Insulator body (black) :** Glass filled polyester UL94V-0
- ◆ **Electrical**  
Current rating : 3 Amps/contact max.  
Insulation resistance : ≥10000MΩ at 500VAC  
Rated voltage : 100 VRMS /150VDC
- ◆ **Mechanical**  
Operating temperature : Gold plated: -55°C to +125°C  
(Continuous) -67° F to +257° F  
Tin plated: -40 °C to +105°C

- ◆ **Applications and features:**
  1. The male header contacts are designed for "Sandwich application" because The pin of  $\Phi 0.5\text{mm}/0.050"$  can be plugged into a standard IC-contact.
  2. 3 different heights are available.
  3. Low profile type..
  4. Side and end stackable.
  5. Twist free construction.

- ◆ **Environmental data**  
Solderability (IEC 60068-2-20. Ta) : 235° C, 2s  
Resistance to soldering heat (IEC 60068-2-20. Tb) :  
-Through hole mount components : 260° C, 10s

P/N	Contact	Dim A	Dim B	Dim C	Dim D
RB0630X20000G	6	7.62	5.08	7.62	10.16
RB0830X20000G	8	10.16	7.62	7.62	10.16
RB1030X20000G	10	12.70	10.16	7.62	10.16
RB1430X20000G	14	17.78	15.24	7.62	10.16
RB1630X20000G	16	20.32	17.78	7.62	10.16
RB1830X20000G	18	22.86	20.32	7.62	10.16
RB2030X20000G	20	25.40	22.86	7.62	10.16
RB2462X20000G	24	30.48	27.94	15.24	17.78
RB2862X20000G	28	35.56	33.02	15.24	17.78
RB3262X20000G	32	40.64	38.10	15.24	17.78
RB4262X20000G	40	50.80	48.26	15.24	17.78

**Ordering information**

RB - XX X 2 X 20000G

- pin plated- 0: Tin 200u"
  - 1: Gold flash
  - 2: Gold 10u"
  - 3: Gold 30u"
- Code Definition  
3 7.62/.300"  
6 15.24/.600"
- No. of contacts : 06-40

**ANYTEK**

**CUSTOMER COPY**

ALL RIGHTS RESERVED. REPRODUCTION OR ISSUE TO THIRD PARTIES IN ANY FORM WHATSOEVER IS NOT PERMITTED WITHOUT WRITTEN AUTHORITY FROM THE PROPRIETOR. PROPERTY OF ANYTEK TECHNOLOGY CO., LTD

TITLE		RB 折彎90° IC Socket 0.6型系列圖紙 (open frame w/o bar)			
PART NO.	RBXXX2X20000G	DWG NO.	8RB0006		
APPROVED	CHECKED	DESIGNED	DRAWN	CUST NO.	Tolerance
		Seamus 2006.05.04	Aaron 2006.05.04		X. ±0.50 X.X ±0.30 X.XX ±0.10 X* ±1°
SHEET: 01/01		UNIT: mm SCALE: NONE		REV.: B	