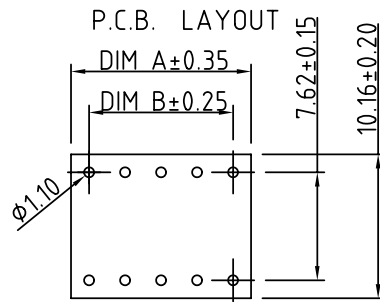
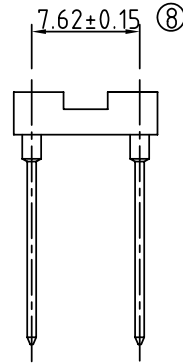
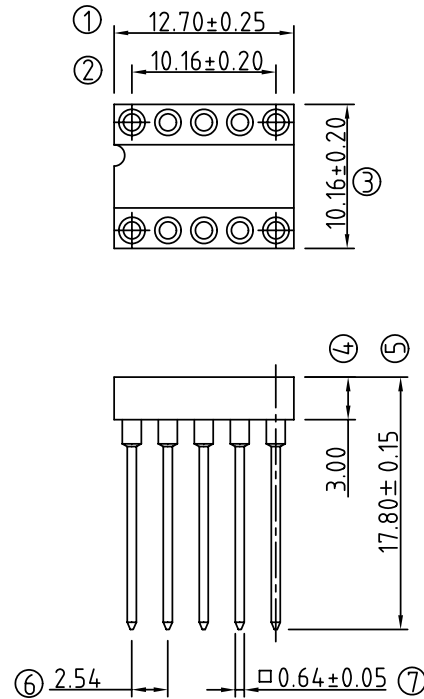


SIGN	DATE	DESCRIPTION	APPROVER
△			

THIS IS CAD DRAWING, DO NOT REVISE MANUALLY!!!



Contact	DIM A	DIM B	Contact	DIM A	DIM B
06	7.62	5.08	18	22.86	20.32
08	10.16	7.62	20	25.40	22.86
10	12.70	10.16	24	30.48	27.94
14	17.78	15.24	28	35.56	33.02
16	20.32	17.78			

- Material:
 - Pin (outer sleeve) : Brass,machined, CuZn38Pb2
 - Clip(contact 4 finger) : Beryllium copper ,heat treated or PHBZ
 - Plating(outer sleeve) : Tin plated : 2um/80u"nickel,5um/200u"Tin
Gold plated: 2um/80u"nickel,full gold
 - Plating clip(contact): 2um/80 u"nickel,gold or tin plating
 - Insulator body(black) : Glass filled thermoplastic polyester UL94V-0
- Electrical
 - Current rating : 3 Amps/contact max.
 - Contact resistance : ≤ 4mΩ/contact
 - Insulation resistance : ≥ 10000MΩat 500VAC
 - Rated voltage : 100 VRMS /150VDC
- Mechanical
 - Operating temperature : Gold plated:-55° C to +125° C
(Continuous) -67° F to +105° F
Tin plated:-40° Cto +105° C
 - Average insertion force with steel pin of: φ0.43mm/0.017" < 250g
 - Average withdrawal force with steel pin of φ0.43mm/0.017" >50g
 - Mechanical life : min.200
- Environmental data
 - Solderability (IEC 60068-2-20. Ta) :235° C, 2s
 - Resistance to soldering heat (IEC 60068-2-20. Tb) :
-Through hole mount components :260° C, 10s

S D 10 3 0 X 30000G

Code	Clip plated	Pin plated
0	Gold flash	Tin 200u"
1	Gold 10u"	Tin 200u"
2	Gold 30u"	Tin 200u"
3	Tin 200u"	Tin 200u"
4	Gold flash	Gold flash
5	Gold 10u"	Gold flash
6	Gold 30u"	Gold flash

ANYTEK				CUSTOMER COPY			
ALL RIGHTS RESERVED. REPRODUCTION OR ISSUE TO THRD PARTIES IN ANY FORM WHATSOEVER IS NOT PERMITTED WITHOUT WRITTEN AUTHORITY FROM THE PROPRIETOR. PROPERTY OF ANYTEK TECHNOLOGY CO., LTD							
TITLE		SD-IC/SKT 7.62mm(0.3) 10P Adapter pin17.80mmL					
PART NO.		SD1030X30000G		DWG NO.		8SD0310	
APPROVED		CHECKED		DESIGNED		DRAWN	
		Seamus 2004.11.22		Aaron 2004.11.20		CUST NO.	
				UNIT: mm		Tolerance	
				SCALE: NONE		X. ±0.50	
				SHEET: 01/01		X.X ±0.30	
				REV.: B		X.XX ±0.10	
						X° ±1°	