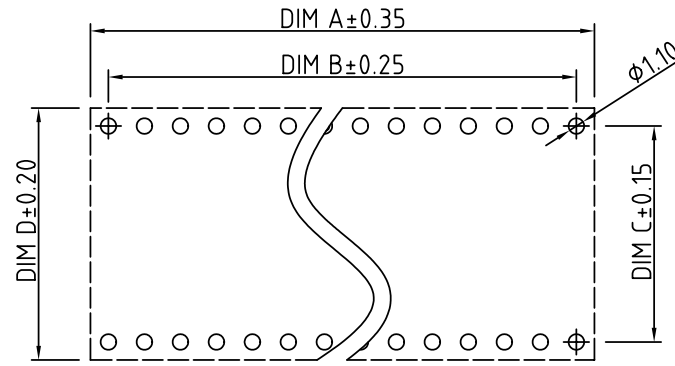
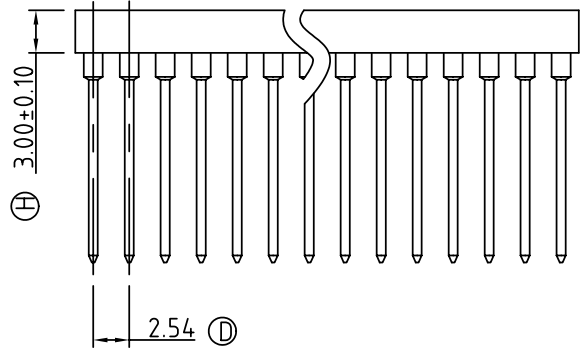
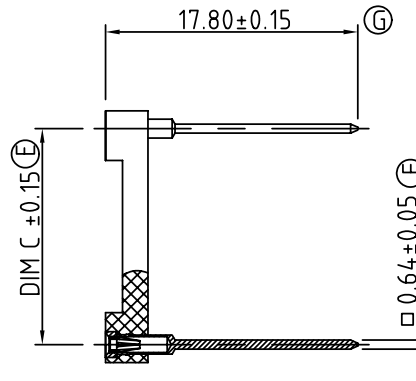
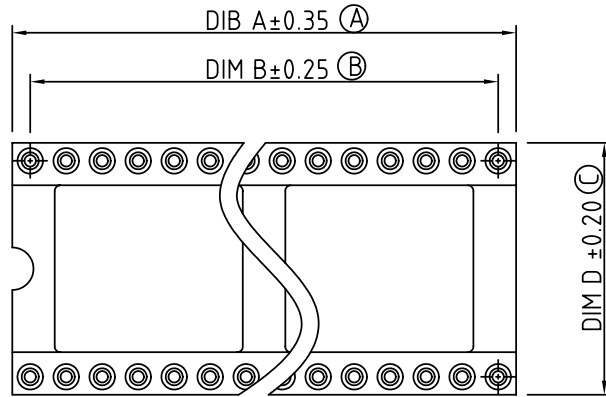


SIGN	DATE	DESCRIPTION	APPROVER
△			
THIS IS CAD DRAWING, DO NOT REVISE MANUALLY!!!			



- Material:
- Pin (outer sleeve) : Brass,machined, CuZn38Pb2
  - Clip(contact 4 finger): PhBz.heat treated
  - Plating(outer sleeve) : Tin plated:2μm/80μ"nickel,5μm/200μ"Ti  
Gold plated:2μm/80μ"nickel,Full gold flash
  - Plating(contact): Gold plated: 2μm/80μ"nickel,Full gold flash
  - Insulator body(housing) : Glass filled thermoplastic polyester UL94V-0 Electrical
  - Current rating :3Amps/contact max.
  - Contact resistance: ≤4mΩ /contact
  - Insulation resistance : ≥10000MΩ at 500VAC
  - Rated voltage : 100 VRMS /150VDC
  - Mechanical
  - Average insertion force with steel pin of φ0.43mm/.017" ≤ 250gf
  - Average withdraw force with steel pin of φ0.43mm/.017" ≥ 50gf
  - Mechanical life : min.200 cycle
  - Operating temperatures:  
(continuous) Gold plated: -55°C to +125°C -67°F to +257°F  
Tin plated: -40°C to +105°C
  - Soldering temperature: +260°C,10s max.

SD - XX X 0 X 3 0000G  
No.of contacts :06p ~64p

Code	Definition	pin plated	Clip plated	Pin plated
0			Gold Flash	Tin 200u"
1			Gold 10u"	Tin 200u"
2			Gold 30u"	Tin 200u"
3	7.62/.300"		Tin 200u"	Tin 200u"
4	10.16/.400"		Gold flash	Gold flash
5	15.24/.600"		Gold 10u"	Gold flash
6	22.86/.900"		Gold 30u"	Gold flash

P/N	Contact	Dim A	Dim B	Dim C	Dim D	P/N	Contact	Dim A	Dim B	Dim C	Dim D
SD0630X1X	6	7.62	5.08	7.62	10.16	SD3240X1X	32	40.64	38.10	10.16	12.70
SD0830X1X	8	10.16	7.62	7.62	10.16	SD2460X1X	24	30.48	27.94	15.24	17.78
SD1030X1X	10	12.70	10.16	7.62	10.16	SD2860X1X	28	35.56	33.02	15.24	17.78
SD1430X1X	14	17.78	15.24	7.62	10.16	SD3260X1X	32	40.64	38.10	15.24	17.78
SD1630X1X	16	20.32	17.78	7.62	10.16	SD3660X1X	36	45.72	43.18	15.24	17.78
SD1830X1X	18	22.86	20.32	7.62	10.16	SD4060X1X	40	50.80	48.26	15.24	17.78
SD2030X1X	20	25.40	22.86	7.62	10.16	SD4260X1X	42	53.34	50.80	15.24	17.78
SD2430X1X	24	30.48	27.94	7.62	10.16	SD4860X1X	48	60.96	58.42	15.24	17.78
SD2830X1X	28	35.56	33.02	7.62	10.16	SD5060X1X	50	63.50	60.96	15.24	17.78
SD2040X1X	20	25.40	22.86	10.16	12.70	SD5260X1X	52	66.04	63.50	15.24	17.78
SD2240X1X	22	27.94	25.40	10.16	12.70	SD5090X1X	50	63.50	60.96	22.86	25.40
SD2440X1X	24	30.48	27.94	10.16	12.70	SD5290X1X	52	66.04	63.50	22.86	25.40
SD2840X1X	28	35.56	33.02	10.16	12.70	SD6490X1X	64	81.28	78.74	22.86	25.40

## ANYTEK

### CUSTOMER COPY

ALL RIGHTS RESERVED. REPRODUCTION OR ISSUE TO THIRD PARTIES IN ANY FORM WHATSOEVER IS NOT PERMITTED WITHOUT WRITTEN AUTHORITY FROM THE PROPRIETOR. PROPERTY OF ANYTEK TECHNOLOGY CO., LTD

TITLE		SD IC/SKT 17.80mL finished products series ( Open frame )			
PART NO.	SDXXX0X3000G	DWG NO.	8SD0601		
APPROVED	CHECKED	DESIGNED	DRAWN	CUST NO.	Tolerance
		Seamus 2006.09.25	Seamus 2006.09.25		X. ±0.50 X.X ±0.30 X.XX ±0.10 X* ±1°
		SHEET: 01/01		UNIT: mm SCALE: NONE REV.: B	