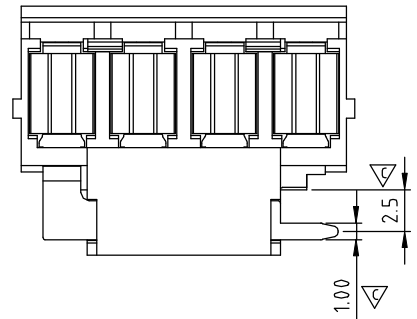
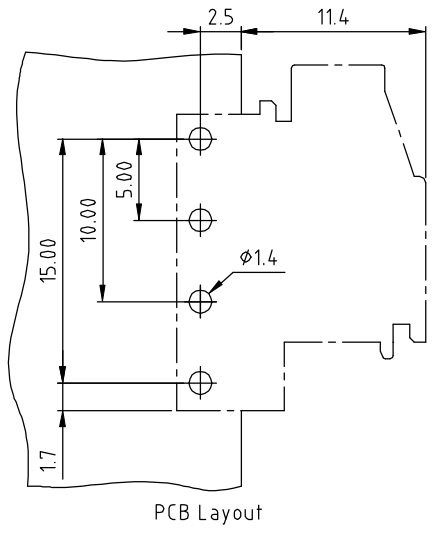
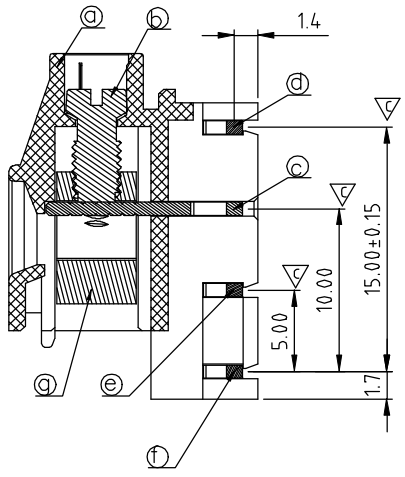
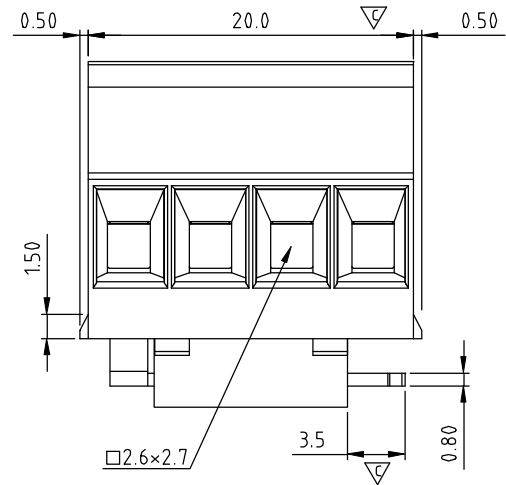
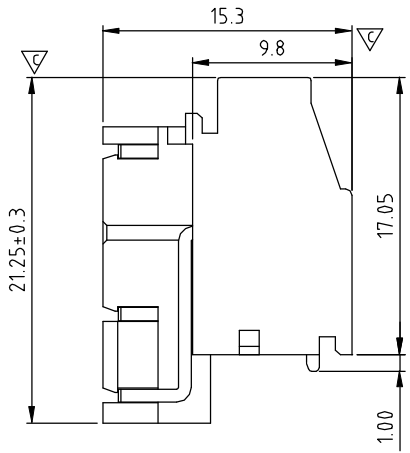
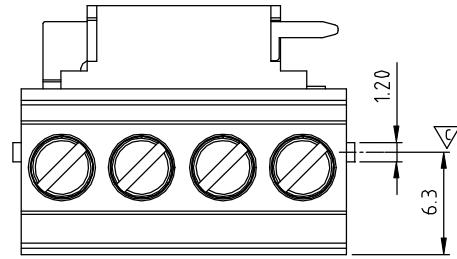


SIGN	DATE	DESCRIPTION	APPROVER
△	07/09'13	update the drawing	Guoxue
THIS IS CAD DRAWING, DO NOT REVISE MANUALLY!!!			



Materials

- Item a Terminal housing : Thermoplastic (UL94V-0)
- Item b Terminal screw : Steel Zinc plating "--" slot type
- Item c Wire guard solder pin 1 : Brass ,Tin plated
- Item d Wire guard solder pin 2 : Brass ,Tin plated
- Item e Wire guard solder pin 3 : Brass ,Tin plated
- Item f Wire guard solder pin 4 : Brass ,Tin plated
- Item g Clamp : Brass, Ni Plated

Electrical cULus

- Voltage rating: 300VAC
- Current rating: 10A
- Wire range:
- Solid wire(AWG): 12-30
- Stranded wire(AWG): 12-30
- Torque(Lb-In): 5.0
- Screw: M3
- Wire strip length: 7-8mm
- Withstanding Voltage: 1.6KV
- Operating temperature: -40°C to +115°C
- Soldering temperature: 260°C±5°C/5 Sec
- △ Safety Approval: us
- Critical dimension:

E6 04 01 x 0 xxxx G

COLOR	G RoHS compliant (lead-4%) In copper Alloy
0 Black (RAL9005)	0000: "@" Logo (Standard)
2 Red (RAL3001/D)	000A: "ANYTEK" Mark
3 Orange(RAL2011/P)	Any special item by customer request. please contact sales department.
4 Yellow(RAL1018/A)	
5 Green(RAL6018/T)	
6 Blue (RAL5015/A)	
8 Grey(RAL7035/D)	
9 White(RAL1102)	
C Green(RAL6018/U)	

ANYTEK		CUSTOMER COPY	
ALL RIGHTS RESERVED. REPRODUCTION OR ISSUE TO THIRD PARTIES IN ANY FORM WHATSOEVER IS NOT PERMITTED WITHOUT WRITTEN AUTHORITY FROM THE PROPRIETOR. PROPERTY OF ANYTEK TECHNOLOGY CO., LTD			
TITLE	E6 5.0 SERIES 4P (Right)--Brass		
PART NO.	E60401x0xxxxG	DWG NO.	8E60017
APPROVED	CHECKED	DESIGNED	DRAWN
		Guoxue 2013.07.19	Guoxue 2013.07.19
SHEET: 01/01		UNIT: mm	Tolerance
		SCALE: NONE	X. ±0.5
		REV.: C	X.X ±0.3
			X.XX ±0.1
			X° ±1°